











INDICE - INDEX

	Azienda <i>Company</i>	6
	Boccole a pressare <i>Swaged ferrule</i>	10
	Raccordi a pressare <i>Swaged fittings</i>	24
	Boccole e raccordi a pressare multispiral <i>Multispiral hoses connectors</i>	58
	Boccole, raccordi e miniprese per microtubi <i>Ferrule, fittings and coupling for micro-hoses</i>	68
	Boccole e raccordi recuperabili <i>Reusable ferrule and fittings</i>	80
	Coppie di serraggio <i>Installation torque</i>	106
	Condizioni Generali di Vendita <i>General Terms of Sale</i>	

Da cinquant'anni d'esperienza, il tubo flessibile termoplastico e PTFE a bassa, media, alta e altissima pressione

Fondata nel 1961 da Eugenio Zantelli, la ditta ZEC si impone subito tra le prime Aziende a livello europeo. Già dal 1970 si svolgono ricerche e studi per la realizzazione di una gamma completa di tubi termoplastici a bassa, media, alta ed altissima pressione per il trasporto di fluidi nei settori oleodinamico, pneumatico, lubrificazione, solventi, vernici, prodotti chimici e gas, nel totale rispetto delle normative internazionali.

Grazie all'esperienza acquisita, ZEC dispone oggi di una vastissima gamma, standard e speciale, di tubi termoplastici lineari, singoli, multipli e a spirale, con caratteristiche tecniche che permettono di scegliere dai 2 a 40 mm di diametro interno, pressioni di esercizio da 5 a 1280 bar e temperature di utilizzo da -200°C a +260°C a seconda delle tipologie, con l'obiettivo di rispondere alle sempre più frequenti e complesse problematiche poste dall'automazione industriale.

Queste tubazioni nascono grazie all'impiego di tecnologie di progettazione e produzione innovative ed estremamente affidabili, da una accurata selezione delle materie prime e da un severo controllo qualità in produzione, eseguito con l'impiego di sofisticate apparecchiature elettroniche che consentono di mantenere costante nel tempo un elevato standard qualitativo, garantendo così la massima affidabilità dei nostri prodotti.



A questi fattori, unitamente alla ricerca di una sempre migliore qualità, viene dedicato il massimo impegno umano e finanziario. Gli sforzi della società sono stati ripagati dall'ottenimento della certificazione del sistema qualità in base alla normativa UNI EN ISO 9001-2008. Lo studio effettuato per il raggiungimento di standard qualitativi sempre più elevati permette, inoltre, la realizzazione di articoli speciali e personalizzati per la risoluzione di nuove e continue problematiche tecnologiche presentate da una clientela sempre più qualificata.

Operando nel totale rispetto delle principali normative internazionali SAE, EN ed ISO, i tubi termoplastici ZEC soddisfano le esigenze tecnologiche mondiali garantendo la massima qualità ed affidabilità, di pari passo ad una costante crescita dell'Export verso la totalità dei continenti.

Entrando nel dettaglio della vastissima gamma dei prodotti standard, è d'obbligo distinguere le varie linee di prodotto rivolte ai diversi settori della fluidica mondiale. Per la bassa pressione ZEC produce tubazioni in Rilsan® PA11, Poliammide PA12, PTFE, PVDF, FEP, PFA, Poliestere HTR, Poliammide 6, Poliammide 6.6, Poliuretano e Polietilene, disponibili in 40 diametri e in 7 diverse colorazioni, in versione a spirale singola, binata o multipla. Questi prodotti vengono prevalentemente impiegati nel settore della pneumatica e lubrificazione a seconda delle esigenze tecnico-economiche dell'utilizzatore finale.



Nella fascia della media, alta ed altissima pressione, ZEC propone un'altrettanto interessante e vasta gamma di tubazioni termoplastiche costruita mediante l'impiego, nella maggior parte dei casi, delle stesse materie prime già utilizzate e precedentemente sperimentate nella fascia a bassa pressione. A ciò fanno eccezione applicazioni particolari e specifiche che richiedono l'utilizzo, per esigenze tecniche, di prodotti alternativi. Questi tubi vengono prodotti interponendo all'anima interna trecce singole o doppie in fibra poliestere, aramidica, acciaio ad alta resistenza, acciaio inox, o miste a seconda delle esigenze per poter raggiungere le varie fasce di pressione nei settori oleodinamico, pneumatico, lubrificazione, solventi, vernici e gas. Queste tubazioni sono fornite in versione singola, binata o multipla, a seconda dell'esigenza specifica della clientela.

L'innovativa e completa gamma di tubi termoplastici con marchio ZEC offre all'utente finale prodotti in grado di superare le più severe prove pratiche, garantendo, rispetto alle tubazioni tradizionali, vantaggi tecnici non trascurabili, di cui i principali che meritano di essere menzionati sono:

- Peso ed ingombro limitato, grazie all'impiego di materie prime ad alta tenacità e basso peso specifico.
- Ottima resistenza alle sollecitazioni a fatica alla flessione alternata ed alle vibrazioni.
- Perdite di carico minime, dovute all'elevata specularità delle superfici interne di passaggio dei fluidi (rugosità 0,6 micron circa), quindi portate notevolmente più elevate a parità di diametro.
- Lunghissima durata nel tempo, grazie alle eccezionali doti di resistenza all'invecchiamento da parte dei tecnopolimeri impiegati.

Grazie alla struttura giovane, dinamica ed innovativa, ZEC rimane sempre alla ricerca delle migliori soluzioni tecnologiche, assicurando ogni giorno, in qualsiasi situazione, assistenza alla propria clientela e mettendo a disposizione tutte le proprie risorse e strutture al fine di soddisfare le quotidiane esigenze tecniche dell'industria mondiale.



Thermoplastic and PTFE low, medium, high and ultra-high pressure flexible hoses, the result of 50 years' experience

Founded in 1961 by Eugenio Zantelli, ZEC soon established itself as one of the leading companies in Europe. Already by 1970, researches and studies aiming at the production of a comprehensive range of low, medium, high and very high-pressure hoses were well underway. In compliance with all major international standards, these are the sectors where ZEC came to excel: hydraulics, pneumatics, lubricants, solvents, paints, chemicals and gas.

Today, thanks to the experience gained in these fields, ZEC produces an exhaustive range of both standard and special linear, single, multiple and spiral thermoplastic hoses. Such variety comes with a display of technical features offering a choice of internal diameters ranging from 2 to 4 mm; working pressures from 5 to 1280 bar and temperatures from -200°C to +260°C. ZEC hoses - depending on the type - are designed to face the ever increasing and complex challenges set out by industrial automation.

To ensure that all our products offer the highest levels of reliability, our raw materials of choice endure a careful selection. Rigorous quality controls - carried out with the use of sophisticated electronic equipment - and the use of extremely reliable state of the art technology in the design and production methods guarantee that all ZEC products satisfy all highest standards.



While the on-going search for improvements in quality is steady, the utmost human and financial efforts are put into the production of special or customised materials to meet the needs and challenges set by an ever-increasing specialised and qualified clientele.

As a result of this continuous search for higher and better standards, the Company's quality control systems were gratified by the recognition of the UNI EN ISO 9001 – 2008 certification. Working in compliance with the major international specifications – SAE, EN and ISO - ZEC thermoplastic hoses fulfil worldwide technological requirements as well as offering the highest possible guarantees of quality and reliability. Proof of this is the constant growth of the Company's export worldwide.

A closer look at the vast standard product range reveals the varied product lines that are intended for the different worldwide fluidic sectors. The low-pressure range includes Riisan@PA11, Polyamide PA12, PTFE, PVDF, FEP, PFA, Polyester HTR, Polyamide 6, Polyamide 6.6, Polyurethane and Polyethylene hoses, available in approximately 40 diameters, 7 different colours and in spiral, single, twin or multiple versions. These hoses are used primarily in the pneumatic and lubrication sectors, depending on the technical and economic requirements of the final user.



ZEC offers an equally interesting broad range of low, medium, high and very-high pressure thermoplastic hoses, manufactured by using materials that have been tried and tested in the production of low to medium-pressure products. This happens in the majority of cases, the only exception being certain particular and specific applications where the use of other type of materials may be called for. Single or double braids in Polyester or Aramidic fibers, high-tensile steel, stainless steel or a combination of these might be used - depending on the requirements specified - in order to achieve the various pressure ranges in the different hydraulic, pneumatic, lubrication, solvent, paint and gas sectors. These hoses are supplied in single, twin or multiple versions in compliance with customer specifications.

The complete and innovative range of ZEC branded thermoplastic hoses offers to the final consumer products capable of passing the most stringent practical tests, guaranteeing at the same time important technical advantages over its traditional, already well-established hoses

These are just some of the advantages:

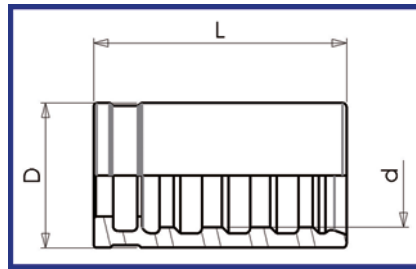
- *Reduced weight and size thanks to the use of raw materials of improved toughness and low specific weight;*
- *Excellent resistance to fatigue stress, alternating flexing and vibrations;*
- *Minimum head-loss, thanks to the increased specularity of the surfaces along which the fluids flow (approximately 0,6 micron roughness) as well as a remarkable increase in flowing rate with equal diameters;*
- *Extremely long lifespan thanks to the exceptional anti-aging qualities of the techno polymers used.*

Thanks to a youthful, dynamic and innovative set-up - constantly seeking for improved technical solutions - ZEC will assist its customers no matter what the scenario.

The staff will put all of his resources and organizational set-up and know-how at their disposal, in order to meet the day-to-day technical challenges of the worldwide industry.

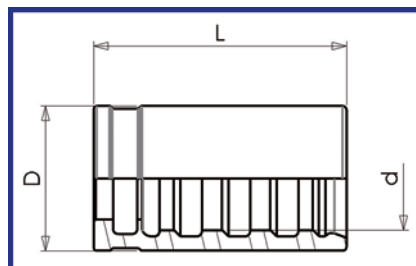


BOCCOLA A PRESSARE PER TUBI SERIE OL5 - MARINE STEERING - VE5 SWAGED FERRULE FOR HOSES OL5 - MARINE STEERING - VE5 SERIES



Codice Boccola Ferrule Code	Tubo Hose	Dimensioni Boccola / Ferrule Dimensions		
		d	D	L
BP18OL5	1/8"	7,8	11,0	17.2
BP48OL5	5/32" (8x4)	8,6	12,0	20.1
BP48OL5	5/32" (8.3x4)	8,6	12,0	20.1
BP532R7	5/32" (8.6x4)	9,3	12,0	20.0
BP316OL5	3/16"	9,8	14,0	21.8
BP14OL5	1/4"	11,1	15,0	25.9
BP516OL5	5/16"	13,8	18,0	28.7
BP38OL5	3/8"	15,1	19,0	30.7
BP12OL5	1/2"	19,1	23,0	33.5

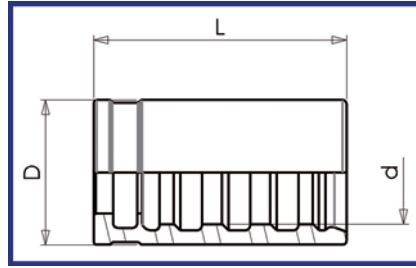
BOCCOLE A PRESSARE PER TUBI SERIE OL7 - VE7 - AT7 - CO2 SYSTEMS SWAGED FERRULE FOR HOSES OL7 - VE7 - AT7 - CO2 SYSTEMS SERIES



Codice Boccola Ferrule Code	Tubo Hose	Dimensioni Boccola / Ferrule Dimensions		
		d	D	L
BP18R7	1/8"	9,0	12,0	19.0
BP532R7	5/32"	9,3	12,0	20.0
BP316R7	3/16"	10,7	15,0	26.0
BP14R7	1/4"	12,4	17,0	29.0
BP516R7V	5/16"	15,4	20,0	30.0
BP38R7V	3/8"	17,0	22,0	32.0
BP12R7V	1/2"	21,5	27,0	34.0
BP58R7V	5/8"	24,0	29,0	37.0
BP34R7V	3/4"	27,1	33,0	40.8
BP1R7V	1"	33,1	40,0	47.7

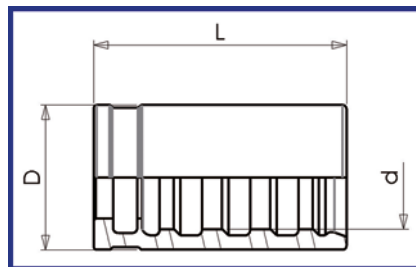


BOCCOLA A PRESSARE PER TUBI SERIE OL8-OL8S-VE8-AS8-AT8-AT8S SWAGED FERRULE FOR HOSES OL8-OL8S-VE8-AS8-AT8-AT8S SERIES



Codice Boccola Ferrule Code	Tubo Hose	Dimensioni Boccola / Ferrule Dimensions		
		d	D	L
BP18OL5	1/8"	7,8	11,0	17.2
BP48OL5	5/32"	8.6	12.0	20.1
BP316R7	3/16"	10,7	15,0	26.0
BP14R7	1/4"	12,4	17,0	29.0
BP14MT1	1/4" AT8S	13,0	18,0	30,0
BP516R7V	5/16"	15,4	20,0	30.0
BP38R7V	3/8"	17,0	22,0	32.0
BP12R7V	1/2"	21,5	27,0	34.0
BP58R7V	5/8"	24,0	29.0	37.0
BP34R7V	3/4"	27,1	33,0	41.0
BP1R7V	1"	35,5	42,0	47.0

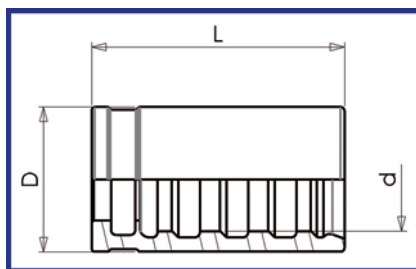
BOCCOLE A PRESSARE PER TUBI SERIE VE5P-OL7P-VE7P SWAGED FERRULE FOR HOSES VE5P-OL7P-VE7P SERIES



Codice Boccola Ferrule Code	Tubo Hose	Dimensioni Boccola / Ferrule Dimensions		
		d	D	L
BP316OL5	3/16" VE5P	9.8	14.0	21.8
BP14OL5	1/4" VE5P	11,1	15,0	25.9
BP14R7	1/4" OL7P-VE7P	12,4	17,0	29.0
BP516OL5	5/16" VE5P	13,8	18,0	28.7
BP38OL5	3/8" VE5P	15.1	19.0	30.7
BP38R7V	3/8" VE7P	17,0	22,0	32.0
BP12OL5	1/2" VE5P	19.1	23.0	33.5



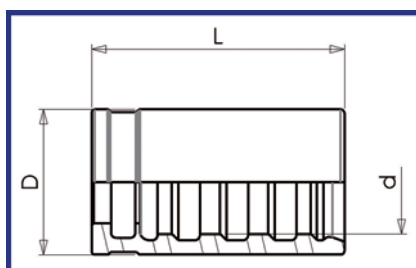
BOCCOLA A PRESSARE PER TUBI SERIE OL5M-OL7M-VE7M SWAGED FERRULE FOR HOSES OL5M-OL7M-VE7M SERIES



Codice Boccola Ferrule Code	Tubo Hose	Dimensioni Boccola / Ferrule Dimensions		
		d	D	L
BP316R7	3/16" M	10,7	15,0	26.0
BP14MT1	1/4" M	13,0	18,0	30.0
BP516R7V	5/16" M	15,4	20,0	30.0
BP38OL7M	3/8" M	18.4	25.5	33.5
BP12JC7	1/2" M	23.0	30.0	34.0
BP12R2T	1/2" MSV	23,1	29,0	34.5
BP34MTKM *	3/4" M	32,5	42,0	55.0

* Si raccomanda l'utilizzo di RACCORDI ZEC tipo MULTISPIRAL - We recommend the use of FITTINGS ZEC type MULTISPIRAL

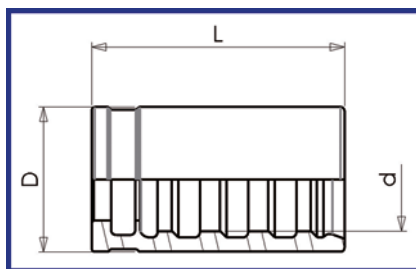
BOCCOLA A PRESSARE PER TUBI SERIE OL5S-OL7S-OL7MP-VE7S SWAGED FERRULE FOR HOSES OL5S-OL7S-OL7MP-VE7S SERIES



Codice Boccola Ferrule Code	Tubo Hose	Dimensioni Boccola / Ferrule Dimensions		
		d	D	L
BP18OL5	1/8" OL5S	7,8	11,0	17.2
BP316OL5	3/16" OL5S	9,8	14,0	21.8
BP316R7	3/16" OL7S-OL7MP-VE7S	10,7	15,0	26.0
BP14R7	1/4" OL5S	12,4	17,0	29.0
BP14MT1	1/4" OL7S-OL7MP-VE7S	13.0	18.0	30.0
BP516R7V	5/16" OL5S	15,4	20,0	30.0
BP516R7V	5/16" OL7S-OL7MP	15,4	20,0	30.0
BP38R7V	3/8" OL5S	17,0	22,0	32.0
BP38R7V	3/8" OL7S-OL7MP-VE7S	17,0	22,0	32.0
BP12JC7	1/2" OL7S- OL7MP	23.0	30.0	34.0



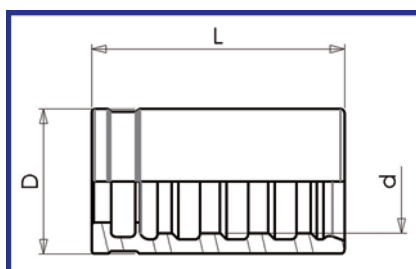
BOCCOLE A PRESSARE PER TUBI SERIE OL8M-VE8M-AS8M SWAGED FERRULE FOR HOSES OL8M-VE8M-AS8M SERIES



Codice Boccola Ferrule Code	Tubo Hose	Dimensioni Boccola / Ferrule Dimensions		
		d	D	L
BP5320L8M *	5/32"M	10,0	15,0	26.0
BP316MTKM *	3/16"MHP	13.0	18.0	40.0
BP14R9R *	1/4"M	15,3	21,0	40.0
BP38R7V	3/8"M	17.0	22.0	32.0
BP38R9R *	3/8" MHP	18.7	26.0	43.0
BP12R9R *	1/2"M	23.0	30.0	45.0
BP34R9R *	3/4"M	29.4	38.0	55.0
BP1R9R *	1"M	36.4	46.0	75.0
BP114MTKHM	1" 1/4M	46.4	56.0	66.0

* Si raccomanda l'utilizzo di RACCORDI ZEC tipo MULTISPIRAL - *We recommend the use of FITTINGS ZEC type MULTISPIRAL*

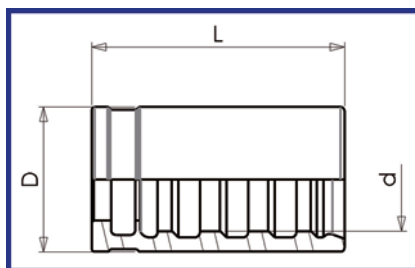
BOCCOLA A PRESSARE PER TUBI SERIE AS7 SWAGED FERRULE FOR HOSES AS7 SERIES



Codice Boccola Ferrule Code	Tubo Hose	Dimensioni Boccola / Ferrule Dimensions		
		d	D	L
BP316R7	3/16"	10,7	15,0	26.0
BP14MT1	1/4"	13,0	18,0	30.0
BP516R7V	5/16"	15,4	20,0	30.0
BP38R2	3/8"	18,0	25,0	33.2
BP12R7V	1/2"	21,5	27,0	34.0
BP58R7V	5/8"	24,2	29,0	37.0
BP34R7V	3/4"	27,1	33,0	40.8
BP1R7V	1"	33,1	40,0	47.7

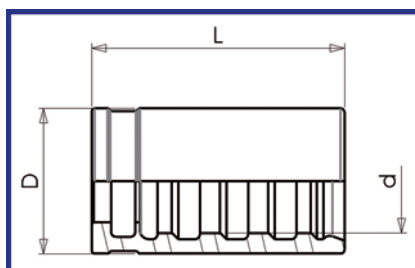


BOCCOLA A PRESSARE PER TUBI SERIE FR5 SWAGED FERRULE FOR HOSES FR5 SERIES



Codice Boccola Ferrule Code	Tubo Hose	Dimensioni Boccola / Ferrule Dimensions		
		d	D	L
BP112FR5AOT	1/12"	6.2	8.0	11.5
BP532FR5AL	5/32"	8.6	11.2	18.0
BP316R7	3/16"	10,7	15,0	26.0
BP14R7	1/4"	12,4	17,0	29.0
BP516R7V	5/16"	15,4	20,0	30.0
BP38R7V	3/8"	17,0	22,0	32.0
BP12R7V	1/2"	21,5	27,0	34.0
BP58R7V	5/8"	24,2	29,0	37.0
BP34R7V	3/4"	27,1	33,0	40.8
BP1R7V	1"	33,1	40,0	47.7

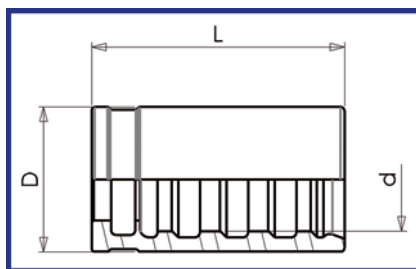
BOCCOLA A PRESSARE PER TUBI SERIE PILOT-MT1-MT1S-MTH1- MTH1FLST-MTHAT1-CO₂ M SYSTEMS SWAGED FERRULE FOR HOSES PILOT-MT1-MT1S-MTH1-MTH1FLST- MTHAT1-CO₂ M SYSTEMS SERIES



Codice Boccola Ferrule Code	Tubo Hose	Dimensioni Boccola / Ferrule Dimensions		
		d	D	L
BP18MT1	1/8"	9,0	12,0	19,0
BP316R7	3/16"	10,7	15,0	26,0
BP14R7	1/4" PILOT	12,4	17,0	29.0
BP14MT1	1/4"	13,0	18,0	30,0
BP516R7V	5/16"	15,4	20,0	30,0
BP38R7V	3/8"	17,0	22,0	32,0
BP12R7V	1/2"	21,5	27,0	34,0
BP58R7V	5/8"	24,2	29,0	37,0
BP34R7V	3/4"	26,5	35,0	43,0
BP1R7V	1"	33,1	40,0	47,7
BP114JC7	1" 1/4	46,8	56,0	66.0

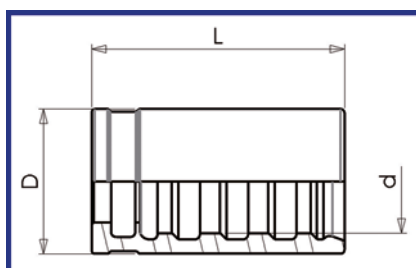


BOCCOLA A PRESSARE PER TUBI SERIE MT2 – MTH2 - MTHAT2 SWAGED FERRULE FOR HOSES MT2 – MTH2 - MTHAT2 SERIES



Codice Boccola Ferrule Code	Tubo Hose	Dimensioni Boccola / Ferrule Dimensions		
		d	D	L
BP14MT2	1/4"	15,4	20,0	30,0
BP38R7V	5/16"	17,0	22,0	32,0
BP38R2	3/8"	18,0	25,0	33,2
BP12JC7	1/2"	23,0	30,0	34,0
BP34R7V	5/8"	27,1	33,0	40,8
BP34JC7	3/4"	30,2	38,0	43,0
BP1R1T	1"	36,6	43,0	48,2

BOCCOLE A PRESSARE PER TUBI SERIE CNG SWAGED FERRULE FOR HOSES CNG SERIES

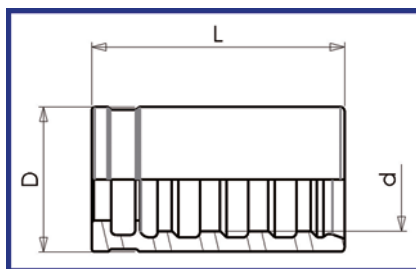


Codice Boccola Ferrule Code	Tubo Hose	Dimensioni Boccola / Ferrule Dimensions		
		d	D	L
BP14MT1	1/4"	13,0	18,0	30,0
BP516R7V	5/16"	15,4	20,0	30,0
BP38R7V	3/8"	17,0	22,0	32,0
BP12R9R *	1/2"	23,0	30,0	45,0
BP34MTKM *	3/4"	32,5	42,0	55,0
BP1MTKM *	1"	40,5	50,0	75,0

* Si raccomanda l'utilizzo di RACCORDI ZEC tipo MULTISPIRAL - *We recommend the use of FITTINGS ZEC type MULTISPIRAL*

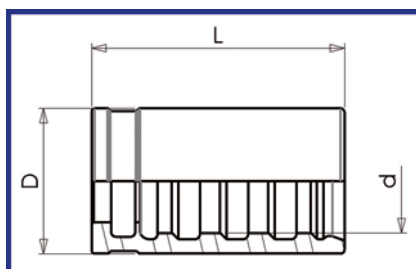


BOCCOLE A PRESSARE PER TUBI SERIE JC5 SWAGED FERRULE FOR HOSES JC5 SERIES



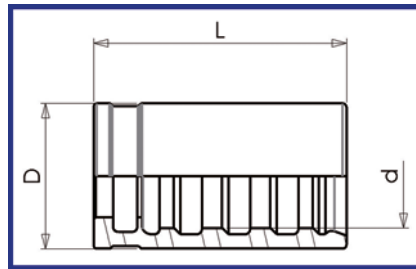
Codice Boccola Ferrule Code	Tubo Hose	Dimensioni Boccola / Ferrule Dimensions		
		d	D	L
BP14MT1	1/4"	13.0	18.0	29.0
BP38R7V	3/8"	17.0	22.0	32.0
BP12R7V	1/2"	21.5	27.0	34.0

BOCCOLA A PRESSARE PER TUBI SERIE JC7-JC8 SWAGED FERRULE FOR HOSES JC7-JC8 SERIES



Codice Boccola Ferrule Code	Tubo Hose	Dimensioni Boccola / Ferrule Dimensions		
		d	D	L
BP18R7	1/8" JC8	9.0	12.0	19.0
BP316R7	3/16" JC8	10.7	15.0	26.0
BP14MT1	1/4" JC8	13.0	18.0	30.0
BP38R7V	3/8" JC7-8	17.0	22.0	32.0
BP12JC7	1/2" JC7-8	23,0	30,0	34.0
BP34R7	5/8" JC7	27.1	33.0	40.8
BP34JC7	3/4" JC7-8	30,2	38,0	43.0
BP1JC7	1" JC7-8	37,5	46,0	58.0
BP114JC7	1" 1/4 JC7-8	46,8	56,0	66.0

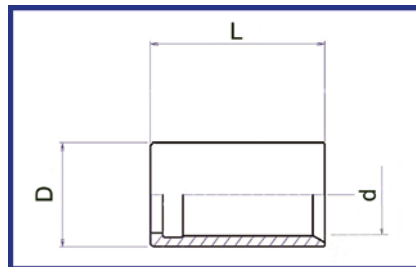
BOCCOLE A PRESSARE PER TUBI SERIE JET POWER SWAGED FERRULE FOR HOSES JET POWER SERIES



Codice Boccola Ferrule Code	Tubo Hose	Dimensioni Boccola / Ferrule Dimensions		
		d	D	L
BP316MTK	3/16"	13.0	18.0	30.0
BP14R9R *	1/4" - 1/4"HP	15.3	21.0	40.0
BP516JP *	5/16"	17.6	24.0	45.0
BP38MTKM *	3/8"	21.0	28.0	46.0
BP12MTKM *	1/2"	27.0	35.0	64.5

* Si raccomanda l'utilizzo di RACCORDI ZEC tipo MULTISPIRAL - *We recommend the use of FITTINGS ZEC type MULTISPIRAL*

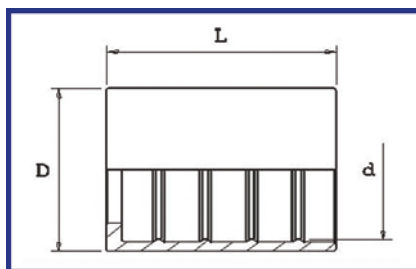
BOCCOLA PER TUBI PTFE INOX PICCOLO-MEDIO-GROSSO SPESSORE FERRULE FOR HOSES PTFE STAINLESS STEEL SMALL- MEDIUM- LARGE



Codice Boccola Ferrule Code	Tubo Hose	Dimensioni Boccola / Ferrule Dimensions		
		d	D	L
BP18OL5	1/8"	7,8	11,0	17.2
BP316PTFEIP	3/16"	10,0	14,0	26,0
BP14PTFEIP	1/4"	11,0	15,0	30,0
BP516PTFEIP	5/16"	13,0	17,0	30,0
BP38PTFEIP	3/8"	15,0	19,0	32,0
BP12PTFEIP	1/2"	18.5	24,0	34,0
BP58PTFEIP	5/8"	22,0	28,0	37,0
BP34PTFEIP	3/4"	25,0	30,0	41,0
BP1PTFEIP	1"	32,0	38,0	45,0

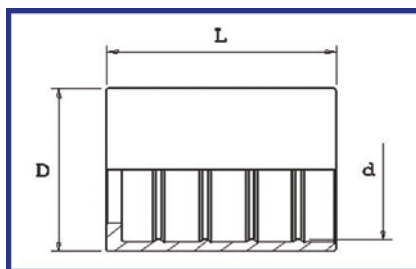


BOCCOLA PER TUBI PTFE INOX DOPPIA TRECCIA FERRULE FOR HOSES PTFE DOUBLE BRAID STAINLESS STEEL



Codice Boccola Ferrule Code	Tubo Hose	Dimensioni Boccola / Ferrule Dimensions		
		d	D	L
BP316R7	3/16"	10.7	15.0	26.0
BP14PTFEI2T	1/4"	12,8	17,0	27.0
BP516OL5	5/16"	13.8	18.0	28.7
BP38PTFEI2T	3/8"	16,6	22,0	30.5
BP12PTFEI2T	1/2"	19,5	25,0	33.0
BP58R1	5/8"	22.5	30.0	37.5
BP34R7	3/4"	27.1	33.0	40.8
BP1R7	1"	33.1	40.0	47.7

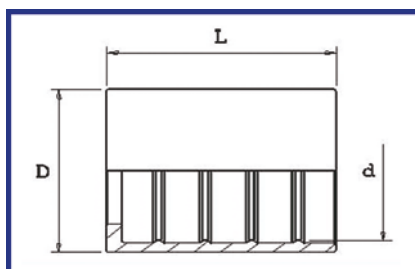
BOCCOLA PER TUBI PTFE INOX CORRUGATO FERRULE FOR HOSES PTFE STAINLESS STEEL CONVOLUTED



Codice Boccola Ferrule Code	Tubo Hose	Dimensioni Boccola / Ferrule Dimensions		
		d	D	L
BP38PTFEIC	3/8"	17,8	21,5	30.0
BP12PTFEIC	1/2"	21,0	25,0	33.0
BP58PTFEIC	5/8"	24,5	29,0	36.0
BP34PTFEIC	3/4"	30,0	34,0	40.0
BP1PTFEIC	1"	34,8	40,0	50.0
BP114PTFEIC	1" 1/4"	42,0	48,0	59.0
BP112PTFEIC	1" 1/2"	49.0	55,0	63.0
BP2PTFEIC	2"	63,0	69,0	70.0

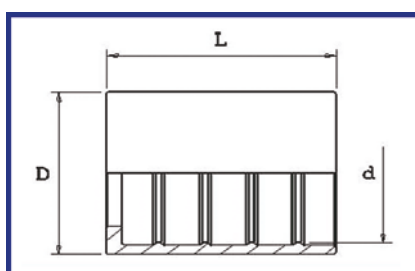


BOCCOLA A PRESSARE PER TUBI SERIE R1 (DA PELARE) SWAGED FERRULE FOR HOSES R1 SERIES (SKIVE)



Codice Boccola Ferrule Code	Tubo Hose	Dimensioni Boccola / Ferrule Dimensions		
		d	D	L
BP316R1	3/16"	10.0	16.0	24.0
BP14R1	1/4"	12.5	19.0	28.0
BP516R1	5/16"	14.0	21.0	31.0
BP38R1	3/8"	16.0	23.0	33.0
BP12R1	1/2"	20.0	28.0	35.5
BP58R1	5/8"	22.5	30.0	37.5
BP34R1	3/4"	26.5	35.0	43.0
BP1R1	1"	34.5	43.0	51.0
BP114R1	1" 1/4	42.5	52.0	57.0
BP112R1	1" 1/2	48.0	58.0	62.8
BP2R1	2"	61.0	70.0	69.8

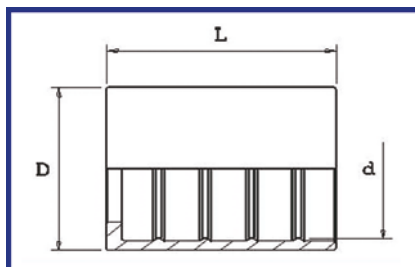
BOCCOLA A PRESSARE PER TUBI SERIE R1T SWAGED FERRULE FOR HOSES R1T SERIES



Codice Boccola Ferrule Code	Tubo Hose	Dimensioni Boccola / Ferrule Dimensions		
		d	D	L
BP316R1T	3/16"	12.5	17.0	22.3
BP14R1T	1/4"	14.2	19.0	27.5
BP516R1T	5/16"	16.0	21.0	30.0
BP38R1T	3/8"	18.0	23.0	32.0
BP12R1T	1/2"	21.5	27.0	34.5
BP58R1T	5/8"	24.5	30.0	36.8
BP34R1T	3/4"	28.5	35.0	42.0
BP1R1T	1"	36.5	43.0	48.0
BP114R1T	1" 1/4	44.5	52.0	58.8
BP112R1T	1" 1/2	51.5	58.0	62.8

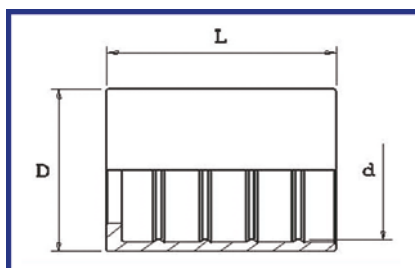


BOCCOLA A PRESSARE PER TUBI SERIE R2 (DA PELARE) SWAGED FERRULE FOR HOSES R2 SERIES (SKIVE)



Codice Boccola Ferrule Code	Tubo Hose	Dimensioni Boccola / Ferrule Dimensions		
		d	D	L
BP14R2	1/4"	14.0	21.0	28.3
BP516R2	5/16"	15.5	23.0	31.0
BP38R2	3/8"	18.0	25.0	33.0
BP12R2	1/2"	21.0	29.0	35.5
BP58R2	5/8"	25.0	32.0	37.5
BP34R2	3/4"	29.0	37.0	43.5
BP1R2	1"	36.5	46.0	50.0
BP114R2	1" 1/4	45.5	56.0	58.8
BP112R2	1" 1/2	52.0	62.0	62.8
BP2R2	2"	65.0	75.0	69.8

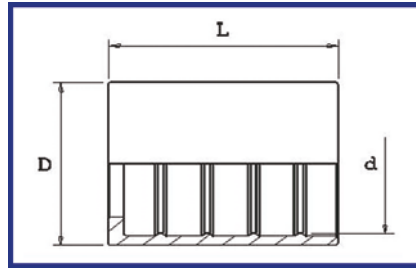
BOCCOLA A PRESSARE PER TUBI SERIE R2T SWAGED FERRULE FOR HOSES R2T SERIES



Codice Boccola Ferrule Code	Tubo Hose	Dimensioni Boccola / Ferrule Dimensions		
		d	D	L
BP316R2T	3/16"	14.0	19.0	23.0
BP14R2T	1/4"	16.0	21.0	27.3
BP516R2T	5/16"	17.0	22.0	30.0
BP38R2T	3/8"	20.0	25.0	32.0
BP12R2T	1/2"	23.0	29.0	34.5
BP58R2T	5/8"	26.0	32.0	37.0
BP34R2T	3/4"	30.0	37.0	42.3
BP1R2T	1"	39.0	46.0	50.5
BP114R2T	1" 1/4	49.0	58.0	58.8



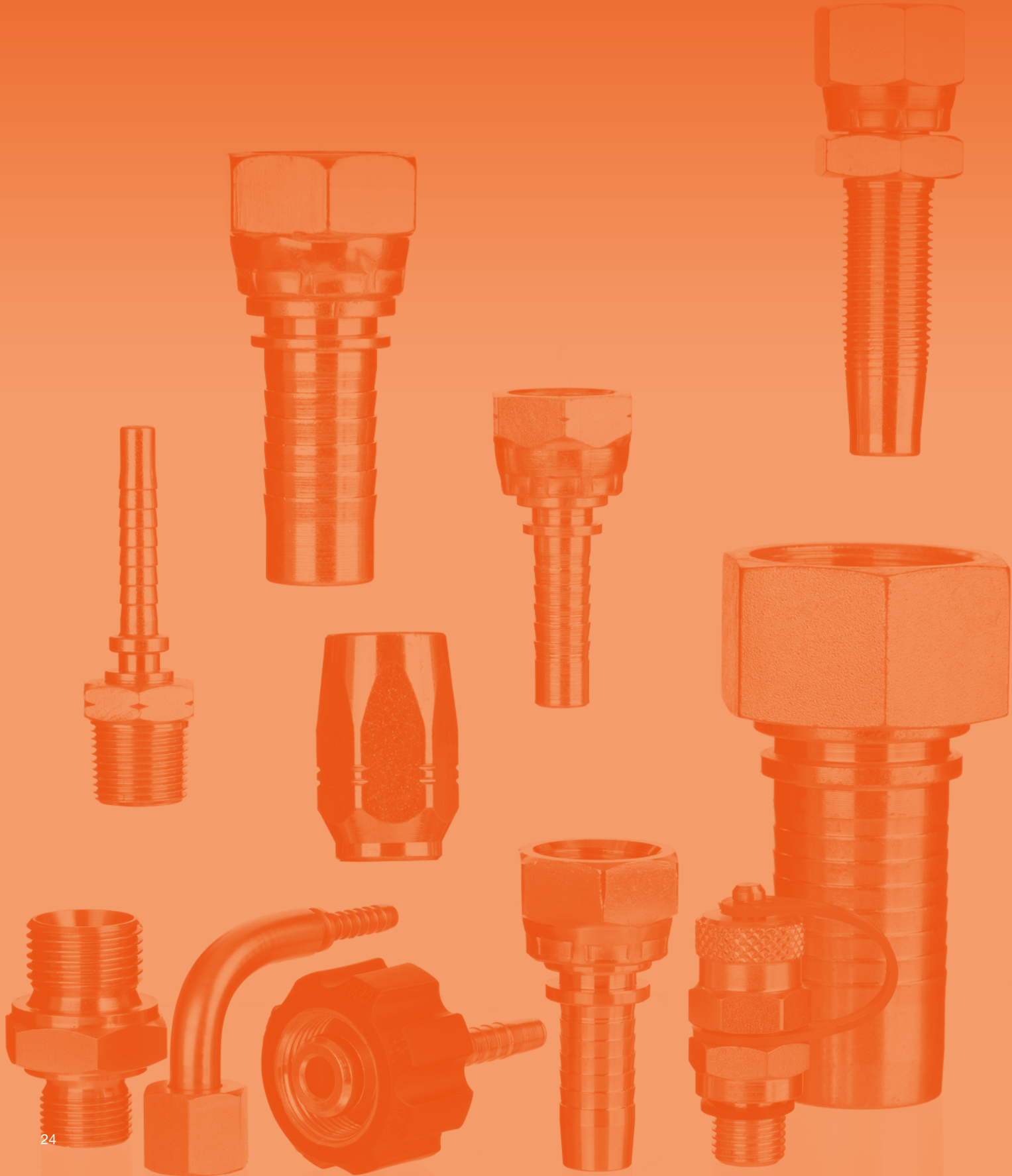
BOCCOLA A PRESSARE PER TUBI SERIE R3-R5 SWAGED FERRULE FOR HOSES R3-R5 SERIES



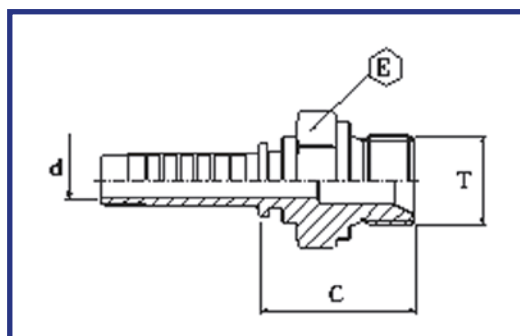
Codice Boccola Ferrule Code	Tubo Hose	Dimensioni Boccola / Ferrule Dimensions		
		d	D	L
BP14R3	1/4"	15.0	20.0	27.0
BP516R3	5/16"	18.0	23.0	28.8
BP38R3	3/8"	19.8	25.0	31.5
BP12R3	1/2"	24.5	30.0	34.5
BP58R3	5/8"	28.0	33.0	37.0
BP34R3	3/4"	32.0	38.0	41.0
BP1R3	1"	39.0	46.0	50.5
BP114R3	1" 1/4	46.0	55.0	58.5

RACCORDI A PRESSARE

SWAGED FITTINGS

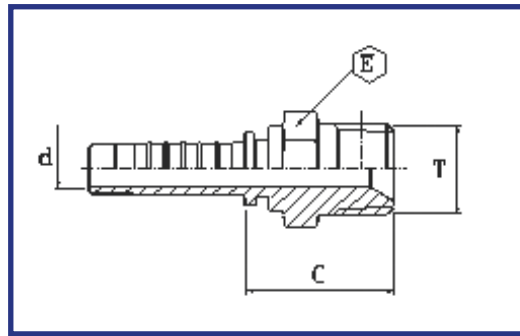


MASCHIO BSP CILINDRICO SV.60°
BSP MALE PARALLEL 60° CONE SEAT



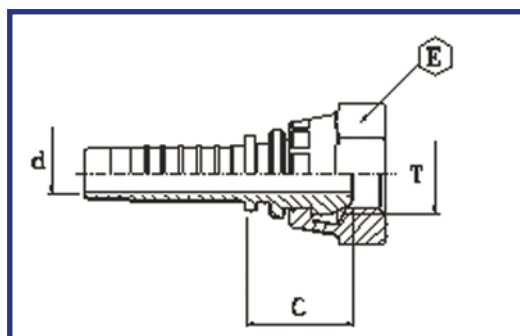
Codice / Part nr	hose ID			thread	hex	cut-off
	in	mm	size	T	E	C
RPMD1818	1/8	3,5	01	1/8-28	12	22
RPMD18316	3/16	4,8	03	1/8-28	14	21
RPMD14316	3/16	4,8	03	1/4-19	19	26
RPMD1814	1/4	6,4	04	1/8-28	14	21
RPMD1414	1/4	6,4	04	1/4-19	19	27
RPMD3814	1/4	6,4	04	3/8-19	22	28
RPMD1214	1/4	6,4	04	1/2-14	27	32
RPMD14516	5/16	8,0	05	1/4-19	19	27
RPMD38516	5/16	8,0	05	3/8-19	22	28
RPMD12516	5/16	8,0	05	1/2-14	27	32
RPMD1438	3/8	9,5	06	1/4-19	19	27
RPMD3838	3/8	9,5	06	3/8-19	22	29
RPMD1238	3/8	9,5	06	1/2-14	27	32
RPMD3812	1/2	12,7	08	3/8-19	22	29
RPMD1212	1/2	12,7	08	1/2-14	27	33
RPMD5812	1/2	12,7	08	5/8-14	30	34
RPMD3412	1/2	12,7	08	3/4-14	32	35
RPMD1258	5/8	16,0	10	1/2-14	27	33
RPMD5858	5/8	16,0	10	5/8-14	30	34
RPMD3458	5/8	16,0	10	3/4-14	32	35
RPMD1234	3/4	19,0	12	1/2-14	25	34
RPMD3434	3/4	19,0	12	3/4-14	32	36
RPMD134	3/4	19,0	12	1-11	41	39
RPMD11	1	25,4	16	1-11	41	40
RPMD1141	1	25,4	16	1.1/4-11	50	44
RPMD114114	1.1/4	31,8	20	1.1/4-11	50	45
RPMD112114	1.1/4	31,8	20	1.1/2-11	55	46,0
RPMD112112	1.1/2	38,1	24	1.1/2-11	55	46,0
RPMD2112	1.1/2	38,1	24	2-11	70	53,5
RPMD22	2	50,8	32	2-11	70	53,5

MASCHIO BSP CONICO SV.60° BSP TAPER MALE 60° CONE



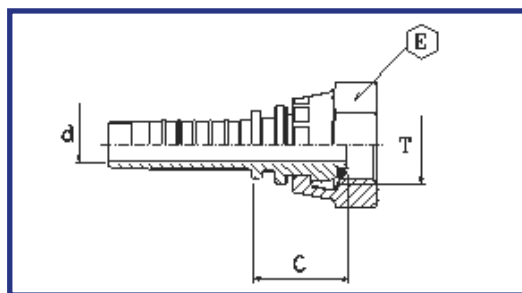
Codice / Part nr	hose ID			thread	hex	cut-off	
	in	mm	size	T	E	C	
RPMDC1818	1/8	3,5	01	1/8-28	1,9	12	22
RPMDC18316	3/16	4,8	03	1/8-28	3,0	12	22
RPMDC14316	3/16	4,8	03	1/4-19	3,0	15	27
RPMDC1814	1/4	6,4	04	1/8-28	4,0	12	23
RPMDC1414	1/4	6,4	04	1/4-19	4,0	15	28
RPMDC3814	1/4	6,4	04	3/8-19	4,0	19	28
RPMDC14516	5/16	8,0	05	1/4-19	5,5	15	28
RPMDC38516	5/16	8,0	05	3/8-19	5,5	19	28
RPMDC1438	3/8	9,5	06	1/4-19	7,0	15	28
RPMDC3838	3/8	9,5	06	3/8-19	7,0	19	28
RPMDC1238	3/8	9,5	06	1/2-14	7,0	22	33
RPMDC3812	1/2	12,7	08	3/8-19	9,5	19	29
RPMDC1212	1/2	12,7	08	1/2-14	9,5	22	34
RPMDC3412	1/2	12,7	08	3/4-14	9,5	27	36
RPMDC1258	5/8	16,0	10	1/2-14	12,0	22	34
RPMDC3458	5/8	16,0	10	3/4-14	12,0	27	36
RPMDC3434	3/4	19,0	12	3/4-14	15,0	27	37
RPMDC134	3/4	19,0	12	1-11	15,0	36	43
RPMDC11	1	25,4	16	1-11	20,0	36	44
RPMDC1141	1	25,4	16	1.1/4-11	20,0	46	46
RPMDC114114	1.1/4	31,8	20	1.1/4-11	26,0	46	47
RPMDC112114	1.1/4	31,8	20	1.1/2-11	26,0	50	49
RPMDC112112	1.1/2	38,1	24	1.1/2-11	32,0	50	49
RPMDC2112	1.1/2	38,1	24	2-11	32,0	65	55
RPMDC22	2	50,8	32	2-11	44,0	65	55

FEMMINA BSP SV.60° DADO PINZATO BSP FEMALE 60° CONE



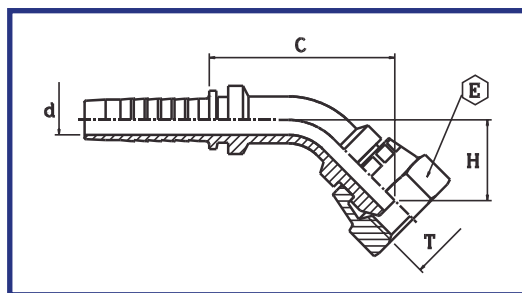
Codice / Part nr	hose ID			thread	hex	cut-off
	in	mm	size	T	E	C
RPF1818	1/8	3.5	01	1/8-28	14	16
RPF1418	1/8	3.5	01	1/4-19	17	16
RPF1848	5/32	4.0	02	1/8-28	14	16
RPF1448	5/32	4.0	02	1/4-19	17	16
RPF18316	3/16	4.8	03	1/8-28	14	16
RPF14316	3/16	4.8	03	1/4-19	19	18
RPF38316	3/16	4.8	03	3/8-19	22	30
RPF1814	1/4	6.4	04	1/8-28	14	16
RPF1414	1/4	6.4	04	1/4-19	19	18
RPF3814	1/4	6.4	04	3/8-19	22	20
RPF1214	1/4	6.4	04	1/2-14	27	22
RPF14516	5/16	8.0	05	1/4-19	19	18
RPF38516	5/16	8.0	05	3/8-19	22	20
RPF12516	5/16	8.0	05	1/2-14	27	22
RPF1438	3/8	9.5	06	1/4-19	19	18
RPF3838	3/8	9.5	06	3/8-19	22	20
RPF1238	3/8	9.5	06	1/2-14	27	22
RPF3812	1/2	12.7	08	3/8-19	22	20
RPF1212	1/2	12.7	08	1/2-14	27	23
RPF5812	1/2	12.7	08	5/8-14	30	23
RPF3412	1/2	12.7	08	3/4-14	32	22
RPF1258	5/8	16.0	10	1/2-14	27	23
RPF5858	5/8	16.0	10	5/8-14	30	22
RPF3458	5/8	16.0	10	3/4-14	32	22
RPF3434	3/4	19.0	12	3/4-14	32	23
RPF134	3/4	19.0	12	1-11	38	25
RPF11	1	25.4	16	1-11	38	26

FEMMINA BSP SV.60° DADO PINZATO SEDE O'RING BSP O'RING FEMALE 60° CONE



Codice / Part nr	hose ID			thread	hex	cut-off
	in	mm	size	T	d	C
RPFDOR1414	1/4	6,4	04	1/4-19	4,0	18
RPFDOR3838	3/8	9,5	06	3/8-19	7,0	19
RPFDOR1212	1/2	12,7	08	1/2-14	9,5	21
RPFDOR3434	3/4	19,0	12	3/4-14	15,0	23
RPFDOR11	1	25,4	16	1-11	20,0	26

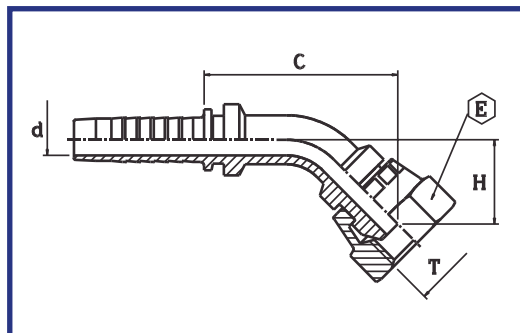
FEMMINA BSP 45° SV.60° DADO PINZATO BSP 45° FEMALE 60° CONE



Codice / Part nr	hose ID			thread	hex	drop	cut-off
	in	mm	size	T	d	H	C
RPF451818	1/8	3.5	01	1/8-28	1.9	16	34
RPF4518316	3/16	4,8	03	1/8-28	3,0	16	34
RPF4514316	3/16	4,8	03	1/4-19	3,0	17	37
RPF451414	1/4	6,4	04	1/4-19	4,0	16	37
RPF453814	1/4	6,4	04	3/8-19	4,0	18	39
RPF4538516	5/16	8,0	05	3/8-19	5,5	21	38
RPF453838	3/8	9,5	06	3/8-19	7,0	19	44
RPF451238	3/8	9,5	06	1/2-14	7,0	21	45
RPF451212	1/2	12,7	08	1/2-14	9,5	24	53
RPF455812	1/2	12,7	08	5/8-14	9,5	23	52
RPF453412	1/2	12,7	08	3/4-14	9,5	25	54
RPF455858	5/8	16,0	10	5/8-14	12,0	25	60
RPF453458	5/8	16,0	10	3/4-14	12,0	25	60
RPF453434	3/4	19,0	12	3/4-14	15,0	28	70
RPF45134	3/4	19,0	12	1-11	15,0	31	72
RPF4511	1	25,4	16	1-11	20,0	35	84

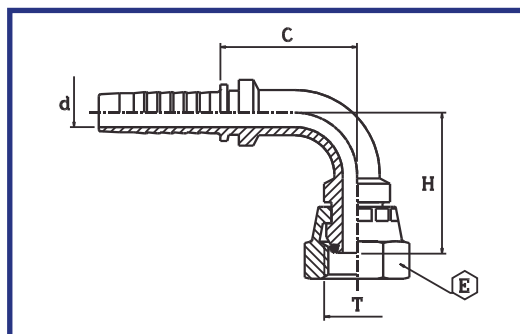


FEMMINA BSP 45° SV.60° DADO PINZATO SEDE O'RING
BSP O'RING 45° SWEPT ELBOW 60° CONE



Codice / Part nr	hose ID			thread	hex	drop	cut-off	
	in	mm	size	T	d	H	C	
RPF45OR1414	1/4	6,4	04	1/4-19	4,0	19	16	37
RPF45OR3838	3/8	9,5	06	3/8-19	7,0	22	19	44
RPF45OR1212	1/2	12,7	08	1/2-14	9,5	27	23	52
RPF45OR3434	3/4	19,0	12	3/4-14	15,0	32	28	70
RPF45OR11	1	25,4	16	1-11	20,0	38	35	84

FEMMINA BSP 90° SV.60° DADO PINZATO SEDE O'RING
BSP O'RING 90° SWEPT ELBOW 60° CONE

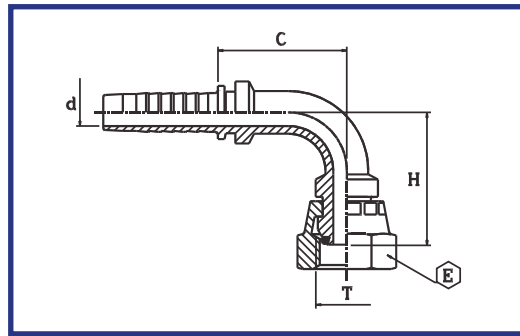


Codice / Part nr	hose ID			thread	hex	drop	cut-off	
	in	mm	size	T	d	H	C	
RPF90OR1414	1/4	6,4	04	1/4-19	4,0	19	27	25
RPF90OR3838	3/8	9,5	06	3/8-19	7,0	22	34	33
RPF90OR1212	1/2	12,7	08	1/2-14	9,5	27	40	39
RPF90OR3434	3/4	19,0	12	3/4-14	15,0	32	54	56
RPF90OR11	1	25,4	16	1-11	20,0	38	66	70



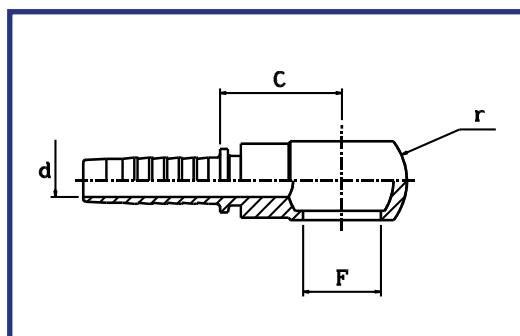
FEMMINA BSP 90° SV.60° DADO PINZATO

BSP 90° SWEPT ELBOW 60° CONE



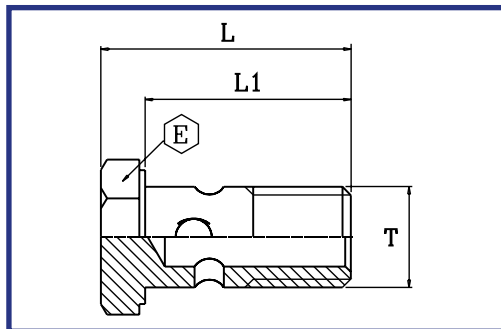
Codice / Part nr	hose ID			thread	d	hex	drop	cut-off
	in	mm	size	T		E	H	C
RPF901818	1/8	3,5	01	1/8-28	1,9	14	24	22
RPF9018316	3/16	4,8	03	1/8-28	3,0	14	24	22
RPF9014316	3/16	4,8	03	1/4-19	3,0	19	26	22
RPF901414	1/4	6,4	04	1/4-19	4,0	19	28	25
RPF903814	1/4	6,4	04	3/8-19	4,0	22	31	25
RPF9038516	5/16	8,0	05	3/8-19	5,5	22	36	29
RPF903838	3/8	9,5	06	3/8-19	7,0	22	34	33
RPF901238	3/8	9,5	06	1/2-14	7,0	27	37	33
RPF903812	1/2	12,7	08	3/8-19	9,5	22	39	39
RPF901212	1/2	12,7	08	1/2-14	9,5	27	41	39
RPF905812	1/2	12,7	08	5/8-14	9,5	30	41	39
RPF903412	1/2	12,7	08	3/4-14	9,5	32	44	39
RPF905858	5/8	16,0	10	5/8-14	12,0	30	47	45
RPF903458	5/8	16,0	10	3/4-14	12,0	32	47	45
RPF903434	3/4	19,0	12	3/4-14	15,0	32	54	56
RPF90134	3/4	19,0	12	1-11	15,0	38	58	56
RPF9011	1	25,4	16	1-11	20,0	38	66	70

OCCHIO A PRESSARE BSP BSP BANJO



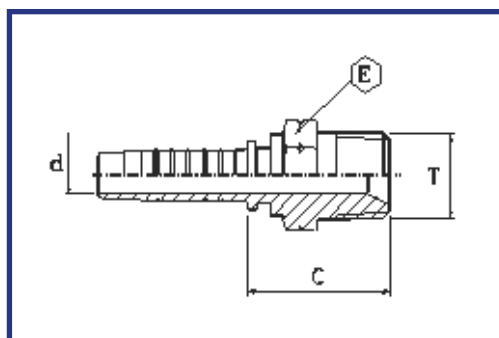
Codice / Part nr	hose ID			hole	mm	d	r	cut-off C
	in	mm	size	F				
OP1818	1/8	3,5	01	1/8-28	10,1	1,9	17	19
OP18316	3/16	4,8	03	1/8-28	10,1	3	17	19
OP14316	3/16	4,8	03	1/4-19	13,3	3	24	26
OP1814	1/4	6,4	04	1/8-28	10,1	4	17	20
OP1414	1/4	6,4	04	1/4-19	13,3	4	24	26
OP3814	1/4	6,4	04	3/8-19	16,8	4	28	26
OP14516	5/16	8,0	05	1/4-19	13,3	6	24	26
OP38516	5/16	8,0	05	3/8-19	16,8	6	28	26
OP1438	3/8	9,5	06	1/4-19	13,3	7	24	29
OP3838	3/8	9,5	06	3/8-19	16,8	7	28	26
OP1238	3/8	9,5	06	1/2-14	21,1	7	36	31
OP3812	1/2	12,7	08	3/8-19	16,8	10	28	27
OP1212	1/2	12,7	08	1/2-14	21,1	10	36	31
OP3412	1/2	12,7	08	3/4-14	26,6	10	45	38
OP5858	5/8	16,0	10	5/8-14	23,1	12	40	38
OP3434	3/4	19,0	12	3/4-14	26,6	15	45	38
OP134	3/4	19,0	12	1-11	33,5	15	58	50
OP11	1	25,4	16	1-11	33,5	20	58	51

BULLONE FORATO BSP BSP BOLT



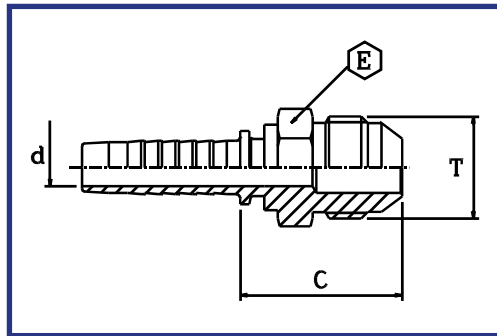
Codice / Part nr	Dim			Filettatura	Press
	L	L1	E	thread T	Max
VC18	24,0	19,5	14	1/8-28	300
VC14	34,5	28,5	19	1/4-19	300
VC38	40,5	33,0	22	3/8-19	300
VC12	46,0	38,0	27	1/2-14	250
VC58	50,0	42,0	30	5/8-14	200
VC34	56,0	47,0	32	3/4-14	200
VC1	69,0	58,0	41	1-11	150

MASCHIO NPT SV.60° NPT MALE 60° CONE



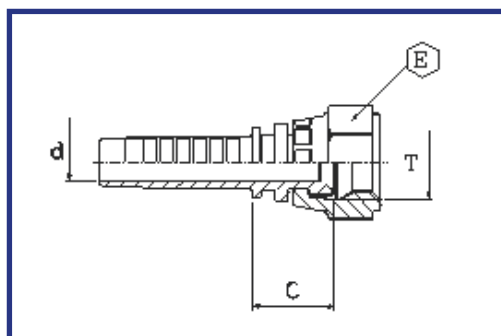
Codice / Part nr	hose ID			thread	d	hex	cut-off
	in	mm	size	T			
RPMD18NPT18	1/8	3,5	01	1/8-27	1,9	12	22
RPMD14NPT18	1/8	3,5	01	1/4-18	1,9	15	28
RPMD18NPT316	3/16	4,8	03	1/8-27	3,0	12	22
RPMD14NPT316	3/16	4,8	03	1/4-18	3,0	15	28
RPMD18NPT14	1/4	6,4	04	1/8-27	4,0	12	22
RPMD14NPT14	1/4	6,4	04	1/4-18	4,0	15	28
RPMD38NPT14	1/4	6,4	04	3/8-18	4,0	19	28
RPMD14NPT516	5/16	8,0	05	1/4-18	5,5	15	28
RPMD38NPT516	5/16	8,0	05	3/8-18	5,5	19	28
RPMD14NPT38	3/8	9,5	06	1/4-18	7,0	15	28
RPMD38NPT38	3/8	9,5	06	3/8-18	7,0	19	28
RPMD12NPT38	3/8	9,5	06	1/2-14	7,0	22	34
RPMD38NPT12	1/2	12,7	08	3/8-18	9,5	19	29
RPMD12NPT12	1/2	12,7	08	1/2-14	9,5	22	35
RPMD12NPT58	5/8	16,0	10	1/2-14	12,0	22	35
RPMD34NPT58	5/8	16,0	10	3/4-14	12,0	27	36
RPMD34NPT34	3/4	19,0	12	3/4-14	15,0	27	37
RPMD1NPT34	3/4	19,0	12	1-11.1/2	15,0	36	43
RPMD1NPT1	1	25,4	16	1-11.1/2	20,0	36	44
RPMD114NPT1	1	25,4	16	1.1/4-11.1/2	20,0	46	46
RPMD114NPT114	1.1/4	31,8	20	1.1/4-11.1/2	26,0	46	47
RPMD112NPT112	1.1/2	38,1	24	1.1/2-11.1/2	32,0	50	49
RPMD2NPT2	2	50,8	32	2-11.1/2	44,0	65	55

MASCHIO JIC SV. 74° JIC MALE 74° CONE



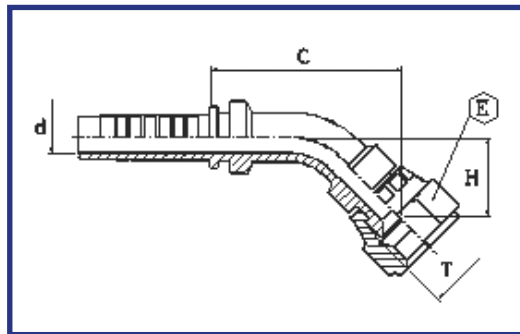
Codice / Part nr	hose ID			thread	d	hex		cut-off
	in	mm	size	T		E		C
RPMD716J316	3/16	4,8	03	7/16-20	3,0	12		26
RPMD716J14	1/4	6,4	04	7/16-20	4,0	12		27
RPMD12J14	1/4	6,4	04	1/2-20	4,0	14		27
RPMD916J14	1/4	6,4	04	9/16-18	4,0	15		27
RPMD916J516	5/16	8,0	05	9/16-18	5,5	15		27
RPMD916J38	3/8	9,5	06	9/16-18	7,0	15		27
RPMD58J38	3/8	9,5	06	5/8-18	7,0	17	* SAE 45°	27
RPMD34J38	3/8	9,5	06	3/4-16	7,0	19		30
RPMD78J38	3/8	9,5	06	7/8-14	7,0	24		34
RPMD34J12	1/2	12,7	08	3/4-16	9,5	19		31
RPMD78J12	1/2	12,7	08	7/8-14	9,5	24		35
RPMD1116J12	1/2	12,7	08	1.1/16-12	9,5	27		37
RPMD78J58	5/8	16,0	10	7/8-14	12,0	24		35
RPMD1116J58	5/8	16,0	10	1.1/16-12	12,0	27		37
RPMD78J34	3/4	19,0	12	7/8-14	15,0	24		36
RPMD1116J34	3/4	19,0	12	1.1/16-12	15,0	27		38
RPMD1316J34	3/4	19,0	12	1.3/16-12	15,0	32		41
RPMD1516J34	3/4	19,0	12	1.5/16-12	15,0	34		42
RPMD1116J1	1	25,4	16	1.1/16-12	20,0	27		39
RPMD1516J1	1	25,4	16	1.5/16-12	20,0	34		43
RPMD158J1	1	25,4	16	1.5/8-12	20,0	42		46
RPMD158J114	1.1/4	31,8	20	1.5/8-12	26,0	42		47
RPMD178J114	1.1/4	31,8	20	1.7/8-12	26,0	50		52
RPMD178J112	1.1/2	38,1	24	1.7/8-12	32,0	50		52
RPMD212J2	2	50,8	32	2.1/2-12	44,0	65		62

FEMMINA JIC SV. 74° DADO PINZATO JIC FEMALE 74° CONE



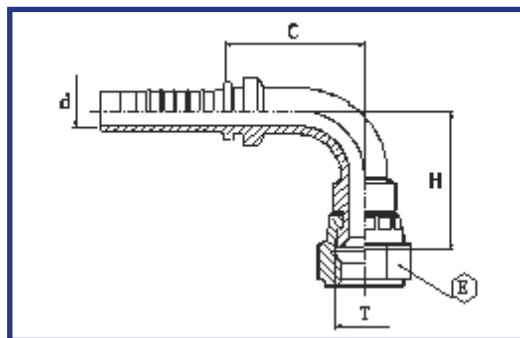
Codice / Part nr	hose ID			thread	d	hex	cut-off
	in	mm	size	T		E	
RPF12J18	1/8	3,5	01	1/2-20	1,9	17	15
RPF716J18	1/8	3,5	01	7/16-20	1,9	15	13
RPF716J316	3/16	4,8	03	7/16-20	3,0	15	13
RPF716J14	1/4	6,4	04	7/16-20	4,0	15	13
RPF12J14	1/4	6,4	04	1/2-20	4,0	17	15
RPF916J14	1/4	6,4	04	9/16-18	4,0	19	16
RPF12J516	5/16	8,0	05	1/2-20	5,5	17	15
RPF916J516	5/16	8,0	05	9/16-18	5,5	19	16
RPF916J38	3/8	9,5	06	9/16-18	7,0	19	16
RPF58J38	3/8	9,5	06	5/8-18	7,0	22	* SAE 45° 15
RPF34J38	3/8	9,5	06	3/4-16	7,0	24	16
RPF34J12	1/2	12,7	08	3/4-16	9,5	24	17
RPF78J12	1/2	12,7	08	7/8-14	9,5	27	19
RPF1116J12	1/2	12,7	08	1.1/16-12	9,5	32	19
RPF78J58	5/8	16,0	10	7/8-14	12,0	27	19
RPF1116J58	5/8	16,0	10	1.1/16-12	12,0	32	19
RPF1116J34	3/4	19,0	12	1.1/16-12	15,0	32	20
RPF1316J34	3/4	19,0	12	1.3/16-12	15,0	36	21
RPF1516J34	3/4	19,0	12	1.5/16-12	15,0	38	21
RPF1516J1	1	25,4	16	1.5/16-12	20,0	38	22

CURVA JIC 45° SV. 74° DADO PINZATO JIC 45° SWEEP ELBOW 74° CONE



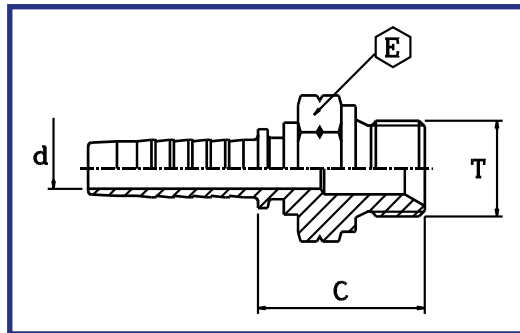
Codice / Part nr	hose ID			thread	hex	drop	cut-off	
	in	mm	size	T	d	E	H	C
RPF45716J316	3/16	4,8	03	7/16-20	3,0	15	14	32
RPF45716J14	1/4	6,4	04	7/16-20	4,0	15	13	34
RPF4512J14	1/4	6,4	04	1/2-20	4,0	17	14	35
RPF45916J14	1/4	6,4	04	9/16-18	4,0	19	15	36
RPF45916J516	5/16	8,0	05	9/16-18	5,5	19	20	37
RPF45916J38	3/8	9,5	06	9/16-18	7,0	19	17	42
RPF4558J38	3/8	9,5	06	5/8-18	7,0	22	17	42
RPF4534J38	3/8	9,5	06	3/4-16	7,0	24	18	43
RPF4534J12	1/2	12,7	08	3/4-16	9,5	24	21	50
RPF4578J12	1/2	12,7	08	7/8-14	9,5	27	23	52
RPF451116J12	1/2	12,7	08	1.1/16-12	9,5	32	24	53
RPF4578J58	5/8	16,0	10	7/8-14	12,0	27	23	58
RPF451116J58	5/8	16,0	10	1.1/16-12	12,0	32	24	59
RPF451116J34	3/4	19,0	12	1.1/16-12	15,0	32	27	69
RPF451316J34	3/4	19,0	12	1.3/16-12	15,0	36	27	69
RPF451516J34	3/4	19,0	12	1.5/16-12	15,0	38	30	72
RPF451516J1	1	25,4	16	1.5/16-12	20,0	38	34	83

CURVA JIC 90° SV. 74° DADO PINZATO JIC 90° SWEPT ELBOW 74° CONE



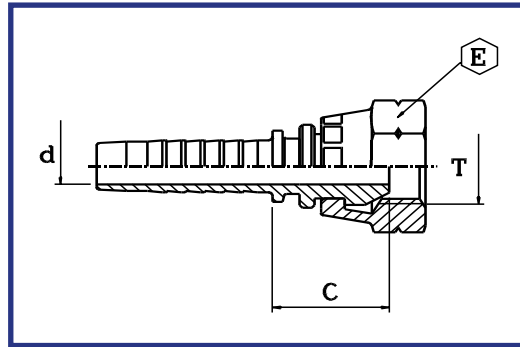
Codice / Part nr	hose ID			thread	hex	drop	cut-off
	in	mm	size	T	E	H	C
RPF90716J316	3/16	4,8	03	7/16-20	15	22	22
RPF90716J14	1/4	6,4	04	7/16-20	15	24	25
RPF9012J14	1/4	6,4	04	1/2-20	17	25	25
RPF90916J14	1/4	6,4	04	9/16-18	19	27	25
RPF90916J516	5/16	8,0	05	9/16-18	19	33	29
RPF90916J38	3/8	9,5	06	9/16-18	19	32	33
RPF9058J38	3/8	9,5	06	5/8-18	22	32	33
RPF9034J38	3/8	9,5	06	3/4-16	24	33	33
RPF9034J12	1/2	12,7	08	3/4-16	24	38	39
RPF9078J12	1/2	12,7	08	7/8-14	27	41	39
RPF901116J12	1/2	12,7	08	1.1/16-12	32	42	39
RPF9078J58	5/8	16,0	10	7/8-14	27	45	45
RPF901116J58	5/8	16,0	10	1.1/16-12	32	45	45
RPF901116J34	3/4	19,0	12	1.1/16-12	32	52	56
RPF901316J34	3/4	19,0	12	1.3/16-12	36	53	56
RPF901516J34	3/4	19,0	12	1.5/16-12	38	57	56
RPF901516J1	1	25,4	16	1.5/16-12	38	65	70

MASCHIO METRICO SV.60° METRIC MALE 60° CONE



Codice / Part nr	hose ID			thread	d	hex	cut-off
	in	mm	size	T		E	C
RPMD1215316	3/16	4,8	03	M12-1.5	3,0	17	25
RPMD121514	1/4	6,4	04	M12-1.5	4,0	17	26
RPMD141514	1/4	6,4	04	M14-1.5	4,0	19	26
RPMD161514	1/4	6,4	04	M16-1.5	4,0	22	26
RPMD1615516	5/16	8,0	05	M16-1.5	5,5	22	26
RPMD1815516	5/16	8,0	05	M18-1.5	5,5	24	27
RPMD141538	3/8	9,5	06	M14-1.5	7,0	19	26
RPMD161538	3/8	9,5	06	M16-1.5	7,0	22	26
RPMD181538	3/8	9,5	06	M18-1.5	7,0	24	27
RPMD181512	1/2	12,7	08	M18-1.5	9,5	24	28
RPMD221512	1/2	12,7	08	M22-1.5	9,5	27	30
RPMD261558	5/8	16,0	10	M26-1.5	12,0	32	32
RPMD261534	3/4	19,0	12	M26-1.5	15,0	32	33
RPMD301534	3/4	19,0	12	M30-1.5	15,0	36	36
RPMD38151	1	25,4	16	M38-1.5	20,0	46	37
RPMD4515114	1.1/4	31,8	20	M45-1.5	26,0	55	39
RPMD38151	1	25,4	16	M38-1.5	20,0	46	37
RPMD4515114	1.1/4	31,8	20	M45-1.5	26,0	55	39

FEMMINA METRICA CONO 60° METRIC FEMALE 60° CONE

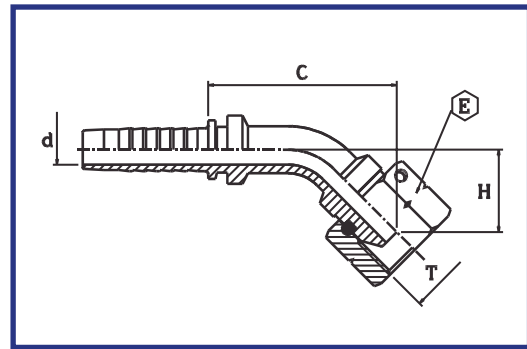
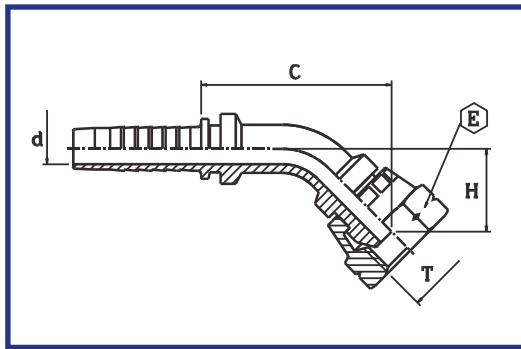


Codice / Part nr	hose ID			thread	hex	cut-off
	in	mm	size	T	E	C
RPF10118	1/8	3,5	01	M10-1	14	16
RPF101316	3/16	4,8	03	M10-1	14	16
RPF1215316	3/16	4,8	03	M12-1.5	17	18
RPF121514	1/4	6,4	04	M12-1.5	17	18
RPF141514	1/4	6,4	04	M14-1.5	19	18
RPF161514	1/4	6,4	04	M16-1.5	22	20
RPF181514	1/4	6,4	04	M18-1.5	24	20
RPF1415516	5/16	8,0	05	M14-1.5	19	18
RPF1615516	5/16	8,0	05	M16-1.5	22	20
RPF1815516	5/16	8,0	05	M18-1.5	24	20
RPF141538	3/8	9,5	06	M14-1.5	19	18
RPF161538	3/8	9,5	06	M16-1.5	22	20
RPF181538	3/8	9,5	06	M18-1.5	24	20
RPF201538	3/8	9,5	06	M20-1.5	25	22
RPF221538	3/8	9,5	06	M22-1.5	27	22
RPF161512	1/2	12,7	08	M16-1.5	22	20
RPF181512	1/2	12,7	08	M18-1.5	24	20
RPF221512	1/2	12,7	08	M22-1.5	27	23
RPF261512	1/2	12,7	08	M26-1.5	32	22
RPF261558	5/8	16,0	10	M26-1.5	32	22
RPF261534	3/4	19,0	12	M26-1.5	32	23
RPF301534	3/4	19,0	12	M30-1.5	36	24
*RPF38151	1	25,4	16	M38-1.5	46	31
*RPF4515114	1.1/4	31,8	20	M45-1.5	55	37

*Dado spinato; thrust wire nut



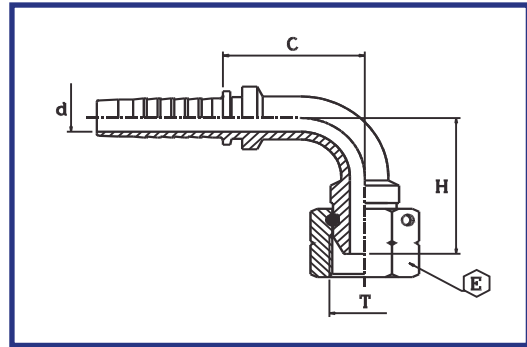
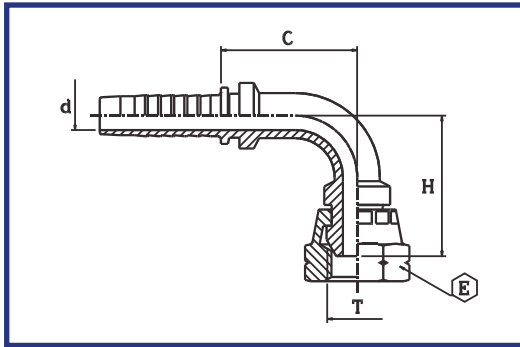
CURVA METRICA 45° CONO 60° DADO PINZATO 45° METRIC SWEPT ELBOW 60° CONE



Codice / Part nr	hose ID			thread	hex	drop	cut-off	
	in	mm	size	T	d	E	H	C
RPF4510118	1/8	3,5	0.1	M10-1	1,9	14	16	33
RPF45101316	3/16	4,8	03	M10-1	3,0	14	16	33
RPF451215316	3/16	4,8	03	M12-1.5	3,0	17	17	34
RPF45121514	1/4	6,4	04	M12-1.5	4,0	17	16	36
RPF45141514	1/4	6,4	04	M14-1.5	4,0	19	16	36
RPF45161514	1/4	6,4	04	M16-1.5	4,0	22	18	38
RPF451615516	5/16	8,0	05	M16-1.5	5,5	22	21	37
RPF451815516	5/16	8,0	05	M18-1.5	5,5	24	21	37
RPF45141538	3/8	9,5	06	M14-1.5	7,0	19	17	41
RPF45161538	3/8	9,5	06	M16-1.5	7,0	22	19	43
RPF45181538	3/8	9,5	06	M18-1.5	7,0	24	19	43
RPF45181512	1/2	12,7	08	M18-1.5	9,5	24	22	51
RPF45221512	1/2	12,7	08	M22-1.5	9,5	27	24	52
RPF45261558	5/8	16,0	10	M26-1.5	12,0	32	25	59
RPF45261534	3/4	19,0	12	M26-1.5	15,0	32	28	69
RPF45301534	3/4	19,0	12	M30-1.5	15,0	36	29	70
*RPF4538151	1	25,4	16	M38-1.5	20	46	42	87

*Dado spinato; thrust wire nut

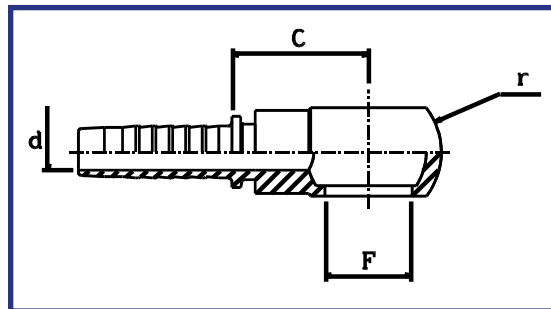
CURVA METRICA 90° CONO 60° DADO PINZATO 90° METRIC SWEPT ELBOW 60° CONE



Codice / Part nr	hose ID			thread	d	hex	drop	cut-off
	in	mm	size	T		E	H	C
RPF9010118	1/8	3,5	01	M10-1	1,9	14	24	22
RPF90101316	3/16	4,8	03	M10-1	3,0	14	24	22
RPF901215316	3/16	4,8	03	M12-1.5	3,0	17	25	22
RPF90121514	1/4	6,4	04	M12-1.5	4,0	17	28	25
RPF90141514	1/4	6,4	04	M14-1.5	4,0	19	28	25
RPF90161514	1/4	6,4	04	M16-1.5	4,0	22	31	25
RPF901615516	5/16	8,0	05	M16-1.5	5,5	22	36	29
RPF901815516	5/16	8,0	05	M18-1.5	5,5	24	35	29
RPF90141538	3/8	9,5	06	M14-1.5	7,0	19	31	33
RPF90161538	3/8	9,5	06	M16-1.5	7,0	22	34	33
RPF90181538	3/8	9,5	06	M18-1.5	7,0	24	34	33
RPF90181512	1/2	12,7	08	M18-1.5	9,5	24	39	39
RPF90221512	1/2	12,7	08	M22-1.5	9,5	27	41	39
RPF90261558	5/8	16,0	10	M26-1.5	12,0	32	47	45
RPF90261534	3/4	19,0	12	M26-1.5	15,0	32	54	56
RPF90301534	3/4	19,0	12	M30-1.5	15,0	36	55	56
*RPF9038151	1	25,4	16	M38-1.5	20	46	78	70

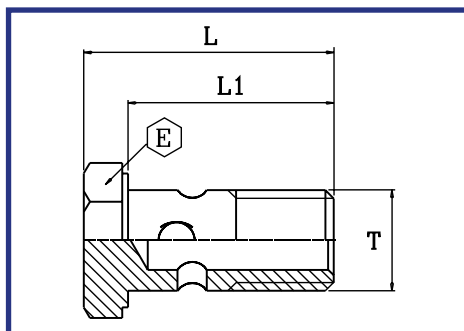
*Dado spinato; *thrust wire nut*

OCCHIO A PRESSARE METRICO METRIC BANJO



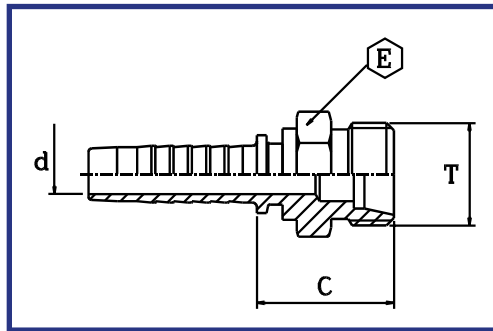
Codice / Part nr	hose ID			hole	d	r	cut-off
	in	mm	size	F			C
OP10M18	1/8	3,5	01	M10-1	1,9	17	19
OP8M316	3/16	4,8	03	M 8-1	3,0	14	21
OP10M316	3/16	4,8	03	M10-1	3,0	17	19
OP10M14	1/4	6,4	04	M10-1	4,0	17	25
OP12M14	1/4	6,4	04	M12-1.5	4,0	20	27
OP14M14	1/4	6,4	04	M14-1.5	4,0	24	27
OP12M516	5/16	8,0	05	M12-1.5	5,5	20	22
OP14M516	5/16	8,0	05	M14-1.5	5,5	24	28
OP16M516	5/16	8,0	05	M16-1.5	5,5	28	26
OP18M516	5/16	8,0	05	M18-1.5	5,5	32	29
OP14M38	3/8	9,5	06	M14-1.5	7,0	24	25
OP16M38	3/8	9,5	06	M16-1.5	7,0	28	26
OP18M38	3/8	9,5	06	M18-1.5	7,0	32	29
OP18M12	1/2	12,7	08	M18-1.5	9,5	32	29
OP22M12	1/2	12,7	08	M22-1.5	9,5	36	31
OP22M58	5/8	16,0	10	M22-1.5	12,0	36	31
OP26M34	3/4	19,0	12	M26-1.5	15,0	46	38
OP30M1	1	25,4	16	M30-1.5	20,0	54	43

BULLONE FORATO METRICO METRIC BOLT



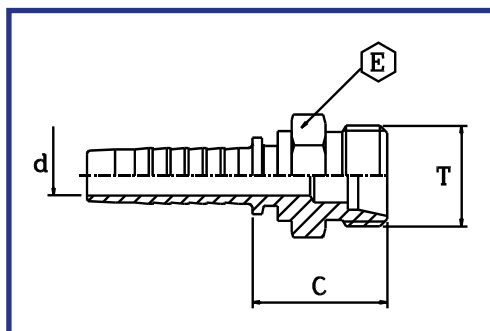
Codice / Part nr	Dim			Filettatura	Press
	L	L1	E	thread T	Max
VC101	24,0	19,5	14	M10x1	300
VC1215	31,5	25,5	17	M12x1.5	300
VC1415	34,0	28,5	19	M14x1.5	300
VC1615	41,0	33,0	22	M16x1.5	300
VC1815	44,5	36,5	24	M18x1.5	250
VC2215	46,5	38,5	27	M22x1.5	200
VC2615	56,0	45,5	32	M26x1.5	200
VC3015	66,0	55,0	36	M30x1.5	150

MASCHIO METRICO SV. 24° SERIE LEGGERA METRIC MALE 24° SEAT LIGHT



Codice / Part nr	hose ID			thread	erm.	hex	cut-off	
	in	mm	size	T	d	E	C	
RPMDKOL12153166	3/16	4,8	03	M12-1.5	6	3,0	14	22
RPMDKOL1215146	1/4	6,4	04	M12-1.5	6	4,0	14	23
RPMDKOL1415148	1/4	6,4	04	M14-1.5	8	4,0	15	22
RPMDKOL16151410	1/4	6,4	04	M16-1.5	10	4,0	17	23
RPMDKOL18151412	1/4	6,4	04	M18-1.5	12	4,0	19	24
RPMDKOL14155168	5/16	8,0	05	M14-1.5	8	5,5	15	22
RPMDKOL161551610	5/16	8,0	05	M16-1.5	10	5,5	17	23
RPMDKOL181551612	5/16	8,0	05	M18-1.5	12	5,5	19	24
RPMDKOL16153810	3/8	9,5	06	M16-1.5	10	7,0	17	23
RPMDKOL18153812	3/8	9,5	06	M18-1.5	12	7,0	19	24
RPMDKOL22153815	3/8	9,5	06	M22-1.5	15	7,0	22	25
RPMDKOL18151212	1/2	12,7	08	M18-1.5	12	9,5	19	25
RPMDKOL22151215	1/2	12,7	08	M22-1.5	15	9,5	22	26
RPMDKOL26151218	1/2	12,7	08	M26-1.5	18	9,5	27	27
RPMDKOL26155818	5/8	16,0	10	M26-1.5	18	12,0	27	27
RPMDKOL26153418	3/4	19,0	12	M26-1.5	18	15,0	27	28
RPMDKOL3023422	3/4	19,0	12	M30-2	22	15,0	30	33
RPMDKOL362128	1	25,4	16	M36-2	28	20,0	36	32
RPMDKOL45211435	1.1/4	31,8	20	M45-2	35	26,0	46	36
RPMDKOL52211242	1.1/2	38,1	24	M52-2	42	32,0	55	38

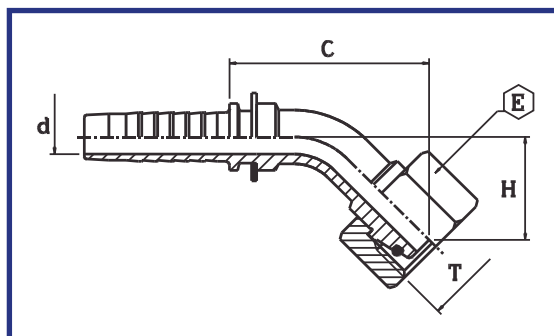
MASCHIO METRICO SV. 24° SERIE PESANTE METRIC MALE 24° SEAT HEAVY



Codice / Part nr	hose ID			thread	erm.	hex	cut-off	
	in	mm	size	T	d	E	C	
RPMDKOS16153168	3/16	4,8	03	M16-1.5	8	3,0	17	26
RPMDKOS1615148	1/4	6,4	04	M16-1.5	8	4,0	17	27
RPMDKOS18151410	1/4	6,4	04	M18-1.5	10	4,0	19	27
RPMDKOS20151412	1/4	6,4	04	M20-1.5	12	4,0	22	29
RPMDKOS201551612	5/16	8,0	05	M20-1.5	12	5,5	22	29
RPMDKOS18153812	3/8	9,5	06	M18-1.5	12	7,0	22	27
RPMDKOS20153812	3/8	9,5	06	M20-1.5	12	7,0	22	29
RPMDKOS22153814	3/8	9,5	06	M22-1.5	14	7,0	22	31
RPMDKOS24153816	3/8	9,5	06	M24-1.5	16	7,0	24	31
RPMDKOS24151216	1/2	12,7	08	M24-1.5	16	9,5	24	32
RPMDKOS3025820	5/8	16,0	10	M30-2	20	12,0	30	34
RPMDKOS3023420	3/4	19,0	12	M30-2	20	15,0	30	35
RPMDKOS3623425	3/4	19,0	12	M36-2	25	15,0	36	38
RPMDKOS362125	1	25,4	16	M36-2	25	20,0	36	39
RPMDKOS422130	1	25,4	16	M42-2	30	20,0	46	42
RPMDKOS42211430	1.1/4	31,8	20	M42-2	30	26,0	46	43
RPMDKOS52211438	1.1/4	31,8	20	M52-2	38	26,0	55	50
RPMDKOS52211238	1.1/2	38,1	24	M52-2	38	32,0	55	50

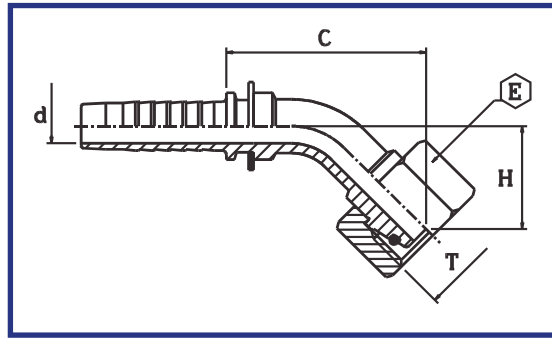
FEMMINA METRICA 45° CONO 24° SERIE LEGGERA DKOL

45° METRIC SWEPT ELBOW 24° SEAT LIGHT



Codice / Part nr	hose ID			thread	erm.	hex	drop	cut-off	
	in	mm	size	T		d	H	C	
RPF45DKOL12153166	3/16	4,8	03	M12-1.5	6	3,0	14	13	37
RPF45DKOL1415148	1/4	6,4	04	M14-1.5	8	4,0	17	20	42
RPF45DKOL16151410	1/4	6,4	04	M16-1.5	10	4,0	19	14	36
RPF45DKOL18151412	1/4	6,4	04	M18-1.5	12	4,0	22	17	39
RPF45DKOL161551610	5/16	8,0	05	M16-1.5	10	5,5	19	20	39
RPF45DKOL18153812	3/8	9,5	06	M18-1.5	12	7,0	22	19	44
RPF45DKOL22153815	3/8	9,5	06	M22-1.5	15	7,0	27	18	43
RPF45DKOL22151215	1/2	12,7	08	M22-1.5	15	9,5	27	27	50
RPF45DKOL26155818	5/8	16,0	10	M26-1.5	18	12,0	32	24	59
RPF45DKOL26155818	5/8	16,0	10	M26-1.5	18	15,0	32	25	68
RPF45DKOL3023422	3/4	19,0	12	M30-2	22	15,0	36	28	69
RPF45DKOL362128	1	25,4	16	M36-2	28	20,0	41	35	80
RPF45DKOL45211435	1.1/4	31,8	20	M45-2	35	26,0	50	41	107
RPF45DKOL52211242	1.1/2	38,1	24	M52-2	42	32,0	60	50	111

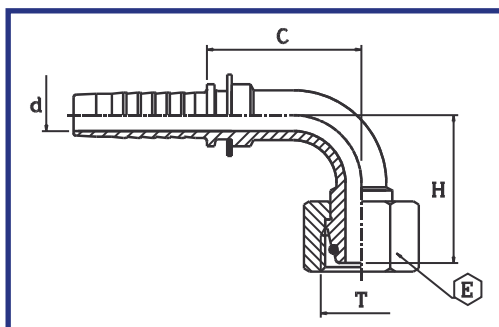
CURVA METRICA 45° CONO 24° SERIE PESANTE DKOS 45° METRIC SWEPT ELBOW 24° SEAT HEAVY



Codice / Part nr	hose ID			thread	erm.	hex	drop	cut-off
	in	mm	size	T		d	H	C
RPF45DKOS16153168	3/16	4,8	03	M16-1.5	8	3,0	19	35
RPF45DKOS1615148	1/4	6,4	04	M16-1.5	8	4,0	19	36
RPF45DKOS18151410	1/4	6,4	04	M18-1.5	10	4,0	22	40
RPF45DKOS181551612	5/16	8,0	05	M18-1.5	12	5,5	22	43
RPF45DKOS201551612	5/16	8,0	05	M20-1.5	12	5,5	24	42
RPF45DKOS20153812	3/8	9,5	06	M20-1.5	12	7,0	24	43
RPF45DKOS22153814	3/8	9,5	06	M22-1.5	14	7,0	27	44
RPF45DKOS24151216	1/2	12,7	08	M24-1.5	16	9,5	30	48
RPF45DKOS3025820	5/8	16,0	10	M30-2	20	12,0	36	64
RPF45DKOS3023420	3/4	19,0	12	M30-2	20	15,0	36	73
RPF45DKOS3623425	3/4	19,0	12	M36-2	25	15,0	46	74
RPF45DKOS362125	1	25,4	16	M36-2	25	20,0	46	87
RPF45DKOS422130	1	25,4	16	M42-2	30	20,0	50	83
RPF45DKOS52211438	1.1/4	31,8	20	M52-2	38	26,0	60	102
RPF45DKOS52211238	1.1/2	38,1	24	M52-2	38	32,0	60	115

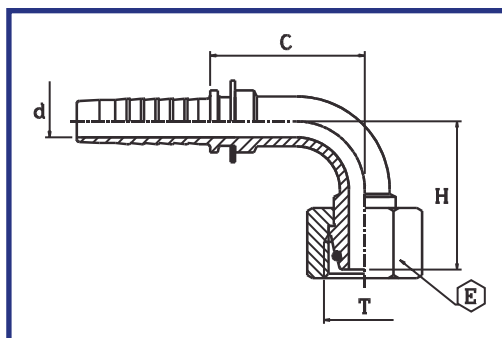
FEMMINA METRICA 90° CONO 24° SERIE LEGGERA DKOL

90° METRIC SWEPT ELBOW 24° SEAT LIGHT



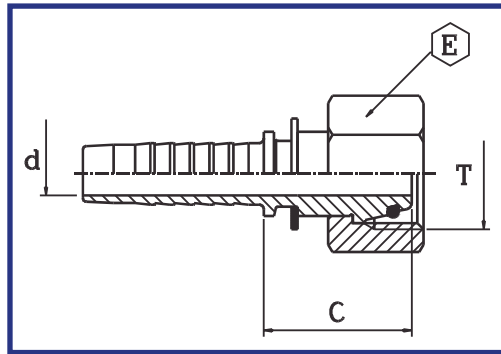
Codice / Part nr	hose ID			thread	erm.	hex	drop	cut-off
	in	mm	size	T		d	H	C
RPF90DKOL12153166	3/16	4,8	03	M12-1.5	6	3,0	14	25
RPF90DKOL1415148	1/4	6,4	04	M14-1.5	8	4,0	17	28
RPF90DKOL16151410	1/4	6,4	04	M16-1.5	10	4,0	19	28
RPF90DKOL18151412	1/4	6,4	04	M18-1.5	12	4,0	22	25
RPF90DKOL161551610	5/16	8,0	05	M16-1.5	10	5,5	19	34
RPF90DKOL16153810	3/8	9,5	06	M16-1.5	10	7,0	19	32
RPF90DKOL18153812	3/8	9,5	06	M18-1.5	12	7,0	22	32
RPF90DKOL22153815	3/8	9,5	06	M22-1.5	15	7,0	27	33
RPF90DKOL22151215	1/2	12,7	08	M22-1.5	15	9,5	27	52
RPF90DKOL26155818	5/8	16,0	10	M26-1.5	18	12,0	32	46
RPF90DKOL26153418	3/4	19,0	12	M26-1.5	18	15,0	32	58
RPF90DKOL3023422	3/4	19,0	12	M30-2	22	15,0	36	56
RPF90DKOL362128	1	25,4	16	M36-2	28	20,0	41	72
RPF90DKOL45211435	1.1/4	31,8	20	M45-2	35	26,0	50	83
RPF90DKOL52211242	1.1/2	38,1	24	M52-2	42	32,0	55	100

CURVA METRICA 90° CONO 24° SERIE PESANTE DKOS 90° METRIC SWEPT ELBOW 24° SEAT HEAVY



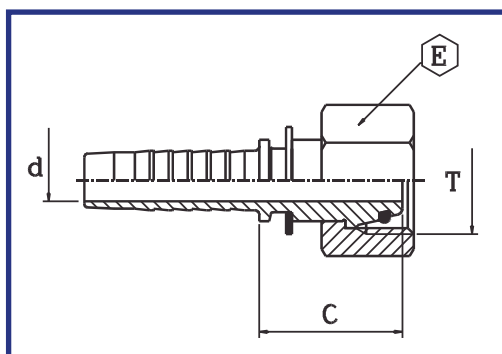
Codice / Part nr	hose ID			thread	erm.	hex	drop	cut-off	
	in	mm	size	T		d	E	H	C
RPF90DKOS16153168	3/16	4,8	03	M16-1.5	8	3,0	19,0	26	25
RPF90DKOS1615148	1/4	6,4	04	M16-1.5	8	4,0	19,0	28	26
RPF90DKOS18151410	1/4	6,4	04	M18-1.5	10	4,0	22,0	30	27
RPF90DKOS201551612	5/16	8,0	05	M20-1.5	12	5,5	24,0	35	31
RPF90DKOS18153810	3/8	9,5	06	M18-1.5	10	7,0	22,0	34	34
RPF90DKOS20153812	3/8	9,5	06	M20-1.5	12	7,0	24,0	34	34
RPF90DKOS22153814	3/8	9,5	06	M22-1.5	14	7,0	27,0	33	33
RPF90DKOS24151216	1/2	12,7	08	M24-1.5	16	9,5	30,0	47	45
RPF90DKOS3025820	5/8	16,0	10	M30-2	20	12,0	36,0	50	44
RPF90DKOS3023420	3/4	19,0	12	M30-2	20	15,0	36,0	55	58
RPF90DKOS3623425	3/4	19,0	12	M36-2	25	15,0	46,0	59	56
RPF90DKOS362125	1	25,4	16	M36-2	25	20,0	46,0	66	72
RPF90DKOS422130	1	25,4	16	M42-2	30	20,0	50,0	66	72
RPF90DKOS52211438	1.1/4	31,8	20	M52-2	38	26,0	60,0	86	86
RPF90DKOS52211238	1.1/2	38,1	24	M52-2	38	32,0	60,0	94	100

FEMMINA METRICA SV. 24° SERIE LEGGERA DKOL METRIC FEMALE 24° SEAT LIGHT



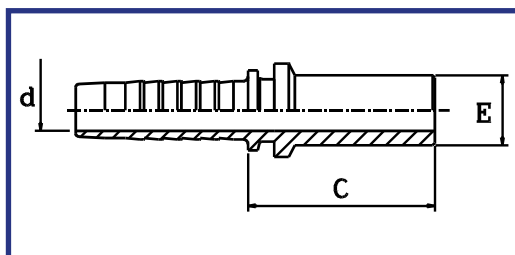
Codice / Part nr	hose ID			thread	erm.	hex	cut-off
	in	mm	size	T	d	E	C
RPFDKOL1215186	1/8	3,5	01	M12-1.5	6	14	20
RPFDKOL12153166	3/16	4,8	03	M12-1.5	6	14	23
RPFDKOL1215146	1/4	6,4	04	M12-1.5	6	14	20
RPFDKOL1415148	1/4	6,4	04	M14-1.5	8	17	23
RPFDKOL16151410	1/4	6,4	04	M16-1.5	10	19	23
RPFDKOL18151412	1/4	6,4	04	M18-1.5	12	22	24
RPFDKOL161551610	5/16	8,0	05	M16-1.5	10	19	23
RPFDKOL16153810	3/8	9,5	06	M16-1.5	10	19	25
RPFDKOL18153812	3/8	9,5	06	M18-1.5	12	22	24
RPFDKOL22153815	3/8	9,5	06	M22-1.5	15	27	28
RPFDKOL22151215	1/2	12,7	08	M22-1.5	15	27	28
RPFDKOL26155818	5/8	16,0	10	M26-1.5	18	32	29
RPFDKOL3023422	3/4	19,0	12	M30-2	22	36	29
RPFDKOL362128	1	25,4	16	M36-2	28	41	30
RPFDKOL45211435	1.1/4	31,8	20	M45-2	35	50	40
RPFDKOL52211242	1.1/2	38,1	24	M52-2	42	60	41

FEMMINA METRICA SV. 24° SERIE PESANTE DKOS METRIC FEMALE 24° SEAT HEAVY



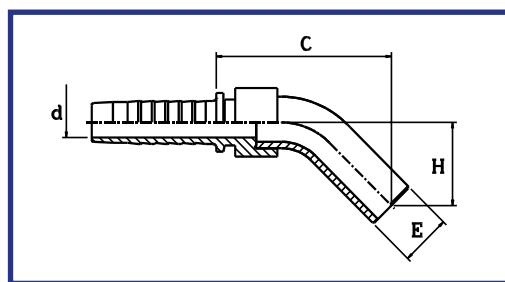
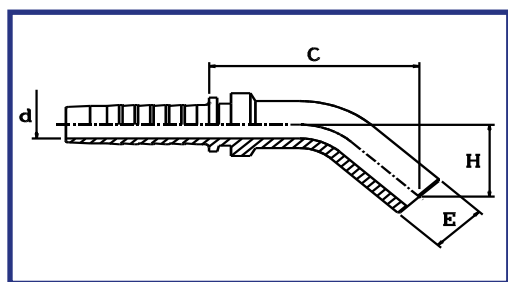
Codice / Part nr	hose ID			thread	erm.	hex	cut-off
	in	mm	size	T	d	E	C
RPFDKOS16153168	3/16	4,8	03	M16-1.5	8	19	25
RPFDKOS1615148	1/4	6,4	04	M16-1.5	8	19	25
RPFDKOS18151410	1/4	6,4	04	M18-1.5	10	22	24
RPFDKOS181551610	5/16	8,0	05	M18-1.5	10	22	24
RPFDKOS201551612	5/16	8,0	05	M20-1.5	12	24	26
RPFDKOS18153810	3/8	9,5	06	M18-1.5	10	22	24
RPFDKOS20153812	3/8	9,5	06	M20-1.5	12	24	26
RPFDKOS22153814	3/8	9,5	06	M22-1.5	14	27	29
RPFDKOS24151216	1/2	12,7	08	M24-1.5	16	30	29
RPFDKOS3025820	5/8	16,0	10	M30-2	20	36	33
RPFDKOS3023420	3/4	19,0	12	M30-2	20	36	34
RPFDKOS3623425	3/4	19,0	12	M36-2	25	46	40
RPFDKOS362125	1	25,4	16	M36-2	25	46	41
RPFDKOS422130	1	25,4	16	M42-2	30	50	43
RPFDKOS52211438	1.1/4	31,8	20	M52-2	38	60	44
RPFDKOS52211238	1.1/2	38,1	24	M52-2	38	60	44

CODOLO TUBOLARE DIRITTO METRIC STANDPIPE STRAIGHT



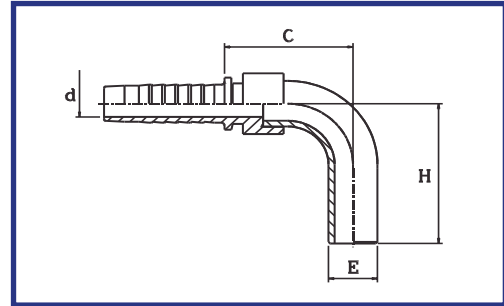
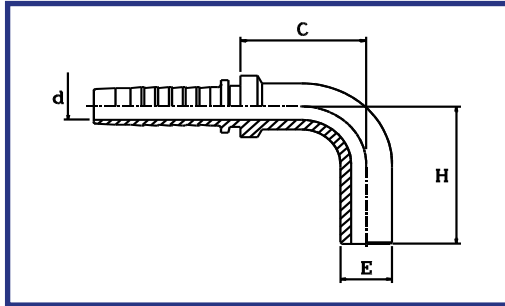
Codice / Part nr	hose ID			pipe	d	cut-off C
	in	mm	size	E		
EP418	1/8	3,5	01	4	1,9	26
EP618	1/8	3,5	01	6	1,9	26
EP818	1/8	3,5	01	8	1,9	28
EP448	5/32	4,0	02	4	2,4	26
EP648	5/32	4,0	02	6	2,4	28
EP648L30	5/32	4,0	02	6	2,4	L=30
EP4316	3/16	4,8	03	4	3,0	26
EP6316	3/16	4,8	03	6	3,0	30
EP8316	3/16	4,8	03	8	3,0	29
EP614	1/4	6,4	04	6	4,0	32
EP814	1/4	6,4	04	8	4,0	29
EP1014	1/4	6,4	04	10	4,0	32
EP1214	1/4	6,4	04	12	4,0	30
EP8516	5/16	8,0	05	8	5,5	29
EP10516	5/16	8,0	05	10	5,5	30
EP12516	5/16	8,0	05	12	5,5	32
EP1038	3/8	9,5	06	10	7,0	31
EP1238	3/8	9,5	06	12	7,0	31
EP1438	3/8	9,5	06	14	7,0	36
EP1538	3/8	9,5	06	15	7,0	32
EP1412	1/2	12,7	08	14	9,5	37
EP1512	1/2	12,7	08	15	9,5	33
EP1612	1/2	12,7	08	16	9,5	38
EP1812	1/2	12,7	08	18	9,5	34
EP1858	5/8	16,0	10	18	12,0	34
EP2058	5/8	16,0	10	20	12,0	44
EP2258	5/8	16,0	10	22	12,0	36
EP1834	3/4	19,0	12	18	15,0	34
EP2034	3/4	19,0	12	20	15,0	45
EP2234	3/4	19,0	12	22	15,0	36
EP2534	3/4	19,0	12	25	15,0	49
EP251	1	25,4	16	25	20,0	49
EP281	1	25,4	16	28	20,0	39
EP301	1	25,4	16	30	20,0	54
EP30114	1.1/4	31,8	20	30	26,0	55
EP35114	1.1/4	31,8	20	35	26,0	47
EP38114	1.1/4	31,8	20	38	26,0	61
EP38112	1.1/2	38,1	24	38	32,0	61
EP42112	1.1/2	38,1	24	42	32,0	49

CODOLO TUBOLARE 45° 45° METRIC STANDPIPE



Codice / Part nr	hose ID			pipe	drop	cut-off	
	in	mm	size	E	H	C	
EP45448	5/32	4.0	02	4	1.9	20	41
EP45648	5/32	4.0	02	6	1.9	20	41
EP456316	3/16	4,8	03	6	3,0	20	41
EP458316	3/16	4,8	03	8	3,0	23	44
EP45614	1/4	6,4	04	6	4,0	30	42
EP45814	1/4	6,4	04	8	4,0	29	41
EP451014	1/4	6,4	04	10	4,0	30	42
EP451214	1/4	6,4	04	12	4,0	30	42
EP4510516	5/16	8,0	05	10	5,5	25	50
EP4512516	5/16	8,0	05	12	5,5	26	53
EP451038	3/8	9,5	06	10	7,0	34	51
EP451238	3/8	9,5	06	12	7,0	34	54
EP451438	3/8	9,5	06	14	7,0	27	51
EP451538	3/8	9,5	06	15	7,0	28	55
EP451412	1/2	12,7	08	14	9,5	27	52
EP451512	1/2	12,7	08	15	9,5	28	56
EP451612	1/2	12,7	08	16	9,5	28	55
EP451812	1/2	12,7	08	18	9,5	31	59
EP451858	5/8	16,0	10	18	12,0	31	59
EP452058	5/8	16,0	10	20	12,0	33	65
EP452258	5/8	16,0	10	22	12,0	35	68
EP452034	3/4	19,0	12	20	15,0	33	66
EP452234	3/4	19,0	12	22	15,0	35	67
EP452534	3/4	19,0	12	25	15,0	39	77
EP45251	1	25,4	16	25	20,0	39	81
EP45281	1	25,4	16	28	20,0	38	92
EP45301	1	25,4	16	30	20,0	44	91
EP4530114	1.1/4	31,8	20	30	26,0	44	91
EP4535114	1.1/4	31,8	20	35	26,0	46	97
EP4538114	1.1/4	31,8	20	38	26,0	51	103
EP4538112	1.1/2	38,1	24	38	32,0	51	103
EP4542112	1.1/2	38,1	24	42	32,0	92	113

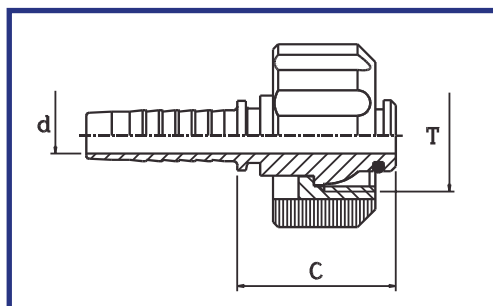
CODOLO TUBOLARE 90° 90° METRIC STANDPIPE



Codice / Part nr	hose ID			pipe	d	drop H	cut-off C
	in	mm	size	E			
EP90648	5/32	4.0	02	6	2.4	32	24
EP906316	3/16	4,8	03	6	3,0	37	24
EP908316	3/16	4,8	03	8	3,0	39	24
EP90614	1/4	6,4	04	6	4,0	37	25
EP90814	1/4	6,4	04	8	4,0	39	25
EP901014	1/4	6,4	04	10	4,0	42	25
EP901214	1/4	6,4	04	12	4,0	45	25
EP9010516	5/16	8,0	05	10	5,5	42	29
EP9012516	5/16	8,0	05	12	5,5	45	29
EP901038	3/8	9,5	06	10	7,0	42	30
EP901238	3/8	9,5	06	12	7,0	45	30
EP901438	3/8	9,5	06	14	7,0	49	33
EP901538	3/8	9,5	06	15	7,0	53	38
EP901412	1/2	12,7	08	14	9,5	49	34
EP901512	1/2	12,7	08	15	9,5	53	39
EP901612	1/2	12,7	08	16	9,5	56	42
EP901812	1/2	12,7	08	18	9,5	56	42
EP901858	5/8	16,0	10	18	12,0	56	42
EP902058	5/8	16,0	10	20	12,0	65	47
EP902258	5/8	16,0	10	22	12,0	70	53
EP902034	3/4	19,0	12	20	15,0	65	48
EP902234	3/4	19,0	12	22	15,0	70	53
EP902534	3/4	19,0	12	25	15,0	75	56
EP90251	1	25,4	16	25	20,0	75	60
EP90281	1	25,4	16	28	20,0	83	67
EP90301	1	25,4	16	30	20,0	88	68
EP9030114	1.1/4	31,8	20	30	26,0	88	67
EP9035114	1.1/4	31,8	20	35	26,0	96	77
EP9038114	1.1/4	31,8	20	38	26,0	105	81
EP9038112	1.1/2	38,1	24	38	32,0	105	81
EP9042112	1.1/2	38,1	24	42	32,0	115	91

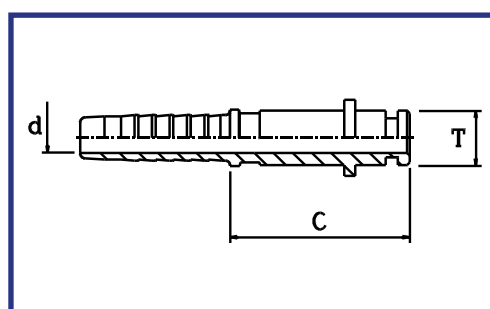


FEMMINA PER IDROPULITRICI WASH CLEANER FEMALE



Codice / Part nr	hose ID			thread	d	cut-off C
	in	mm	size	T		
RPFDIDRO221514	1/4	6,4	04	M22-1.5	4,0	30,7
RPFDIDRO2215516	5/16	7,9	05	M22-1.5	5,5	30,7
RPFDIDRO221538	3/8	9,5	06	M22-1.5	7,0	30,7
WAPP						
RPFDWIDRO211514	1/4	6,4	04	M21-1.5	4,0	30,7
RPFDWIDRO2115516	5/16	7,9	05	M21-1.5	5,5	30,7
RPFDWIDRO211538	3/8	9,5	06	M21-1.5	7,0	30,7
LONG NUT						
RPFDLNIDRO221514	1/4	6,4	04	M22-1.5	4,0	30,7
RPFDLNIDRO2215516	5/16	7,9	05	M22-1.5	5,5	30,7
RPFDLNIDRO221538	3/8	9,5	06	M22-1.5	7,0	30,7

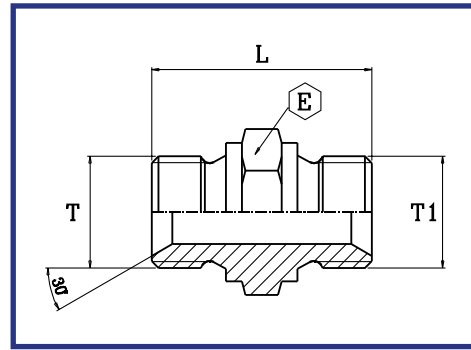
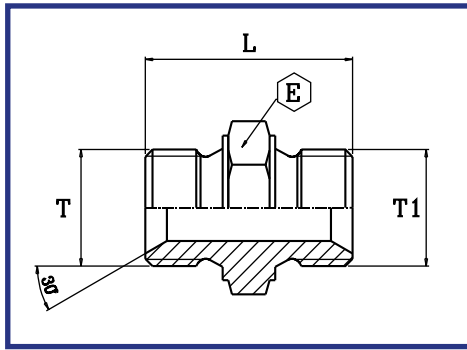
MASCHIO TIPO "GUN" PER PISTOLA IDROPULITRICE "GUN" MALE FOR WASH CLEANER



Codice / Part nr	hose ID			T	d	cut-off C
	in	mm	size			
RPMDIDRO1014	1/4	6,4	04	10	4,0	33,0
RPMDIDRO10516	5/16	7,9	05	10	5,5	33,0



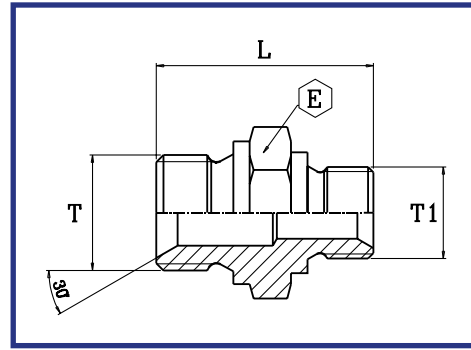
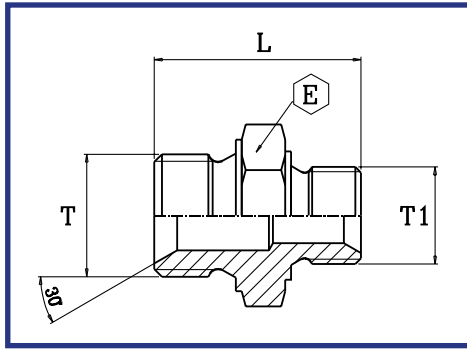
NIPLES DI GIUNZIONE BSP BSP NIPPLES



Codice / Part nr	Filettature		dim		Press max
	thread T	thread T1	L	E	
N1818	1/8-28	1/8-28	25,0	14	425
N1414	1/4-19	1/4-19	29,0	19	425
N3838	3/8-19	3/8-19	34,0	22	400
N1212	1/2-14	1/2-14	37,5	27	350
N5858	5/8-14	5/8-14	42,0	30	300
N3434	3/4-14	3/4-14	42,0	32	250
*N11	1-11	1-11	51,0	41	250
*N114114	1.1/4-11	1.1/4-11	57,0	50	200
*N112112	1.1/2-11	1.1/2-11	60,0	55	175
*N22	2-11	2-11	71,0	70	150

* Profilo tipo DIN / DIN profile

NIPLES DI RIDUZIONE BSP/BSP BSP/BSP REDUCING NIPPLES

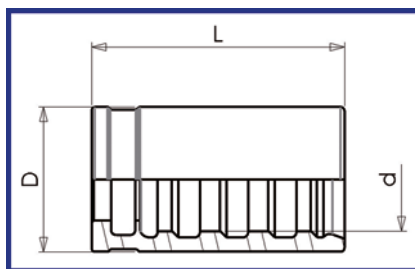


Codice / Part nr	Filettature		dim		Press
	thread T	thread T1	L	E	max
N1418	1/4-19	1/8-28	27,5	19	350
N3818	3/8-19	1/8-28	29,5	22	350
N3814	3/8-19	1/4-19	32,0	22	350
N1214	1/2-14	1/4-19	34,5	27	350
N1238	1/2-14	3/8-19	35,5	27	350
N5812	5/8-14	1/2-14	40,0	30	300
N3414	3/4-14	1/4-19	38,0	32	250
N3438	3/4-14	3/8-19	38,0	32	250
N3412	3/4-14	1/2-14	40,0	32	250
N3458	3/4-14	5/8-14	43,0	32	250
N138	1-11*	3/8-19*	44,5	41	200
N112	1-11*	1/2-14*	47,0	41	200
N134	1-11*	3/4-14*	49,0	41	200
N11412	1.1/4-11*	1/2-14*	51,0	50	200
N11434	1.1/4-11*	3/4-14*	53,0	50	200
N1141	1.1/4-11*	1-11*	55,0	50	200
N11234	1.1/2-11*	3/4-14*	54,0	55	175
N1121	1.1/2-11*	1-11*	56,0	55	175
N112114	1.1/2-11*	1.1/4-11*	58,0	55	175
N2114	2-11*	1.1/4-11*	65,5	70	150
N2112	2-11*	1.1/2-11*	67,5	70	150

* Profilo tipo DIN / DIN profile



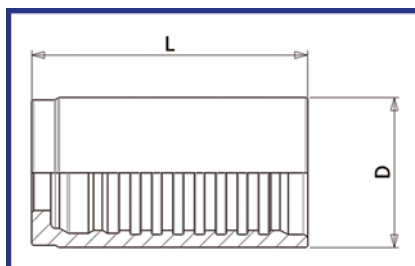
BOCCOLE A PRESSARE PER TUBI SERIE MTK – MTKH SWAGED FERRULE FOR HOSES MTK – MTKH SERIES



Codice Boccola Ferrule Code	Tubo Hose	Dimensioni Boccola / Ferrule Dimensions		
		d	D	L
BP316MTK	3/16"	13,0	18,0	30.0
BP14R9R *	1/4"	15,3	21,0	40.0
BP516MTK *	5/16"	17.5	24.0	30.0
BP38R9R *	3/8"	18,7	26,0	43.0
BP12R9R *	1/2"	23,0	30,0	45.0
BP58R9R *	5/8"	25,5	33,4	50.0
BP34R9R *	3/4"	29,4	38,0	55.0
BP1R9R *	1"	36,4	46,0	75.0

* Si raccomanda l'utilizzo di RACCORDI ZEC tipo MULTISPIRAL - We recommend the use of FITTINGS ZEC type MULTISPIRAL

BOCCOLE A PRESSARE PER TUBI SERIE MTKM - MTKHM SWAGED FERRULE FOR HOSES MTKM - MTKHM SERIES

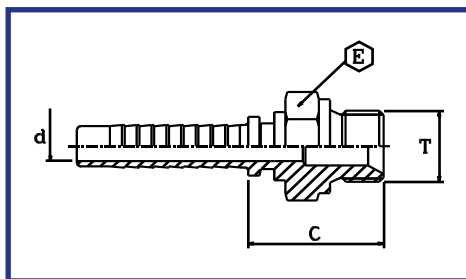


Codice Boccola Ferrule Code	Tubo Hose	Dimensioni Boccola / Ferrule Dimensions		
		d	D	L
BP14R9R *	1/4" M	15,3	21,0	40.0
BP38MTKM *	3/8" M	21,0	28,0	46.0
BP12MTKM *	1/2" M	27.0	35.0	64.5
BP58MTKM *	5/8" M	28.5	36.0	50.0
BP34MTKM *	3/4" M	32.5	42.0	55.0
BP1MTKM *	1" M	40.5	50.0	75.0
BP114MTKHM	1" 1/4 M	46.4	56.0	66.0

* Si raccomanda l'utilizzo di RACCORDI ZEC tipo MULTISPIRAL - We recommend the use of FITTINGS ZEC type MULTISPIRAL

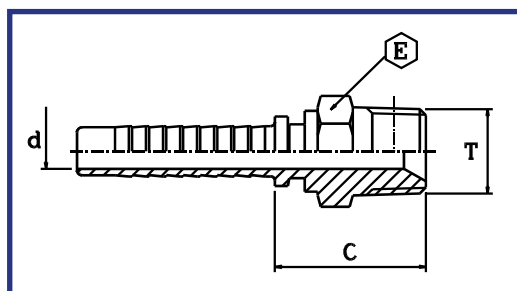


MASCHIO R9 BSP PARALLELO SV.60° R9 BSP MALE PARALLEL 60° CONE



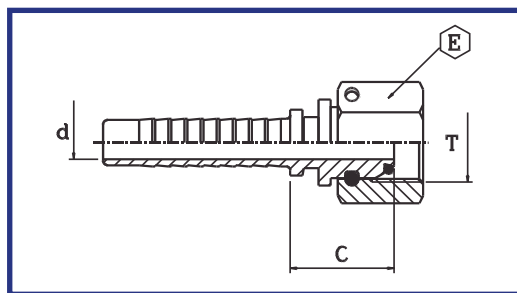
Codice / Part nr	hose ID			thread	d	hex	cut-off
	in	mm	size	T		E	C
RPMD1414R9	1/4	6,4	04	1/4-19	4	19	28
RPMD3838R9	3/8	9,5	06	3/8-19	7	22	30
RPMD1212R9	1/2	12,7	08	1/2-14	9,5	27	33
RPMD5858R9	5/8	16,0	10	5/8-14	12	30	35
RPMD3434R9	3/4	19,0	12	3/4-14	15	32	37
RPMD11R9	1	25,4	16	1-11	20	38	42

MASCHIO R9 BSP CONICO SV.60° R9 BSP TAPER MALE 60° CONE



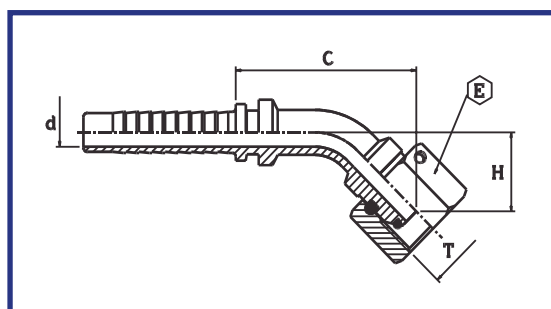
Codice / Part nr	hose ID			thread	d	hex	cut-off
	in	mm	size	T		E	C
RPMDC1414R9	1/4	6,4	04	1/4-19	4	17	28,8
RPMDC3838R9	3/8	9,5	06	3/8-19	7	19	29,3
RPMDC1212R9	1/2	12,7	08	1/2-14	9,5	22	34,3
RPMDC3434R9	3/4	19,0	12	3/4-14	15	30	38,7
RPMDC11R9	1	25,4	16	1-11.1/2	20	36	45,5

FEMMINA R9 BSP SV.60° DADO SPINATO
R9 BSP FEMALE 60° CONE THRUST WIRE NUT



Codice / Part nr	hose ID			thread	d	hex	cut-off
	in	mm	size	T		E	C
RPF14532R9	5/32	4,0	02	1/4-19	2,4	19	18
RPF1414R9	1/4	6,4	04	1/4-19	4	19	20
RPF3838R9	3/8	9,5	06	3/8-19	7	22	21
RPF1212R9	1/2	12,7	08	1/2-14	9,5	27	23
RPF5858R9	5/8	16,0	10	5/8-14	12	30	23
RPF3434R9	3/4	19,0	12	3/4-14	15	32	27
RPF11R9	1	25,4	16	1-11	20	38	30

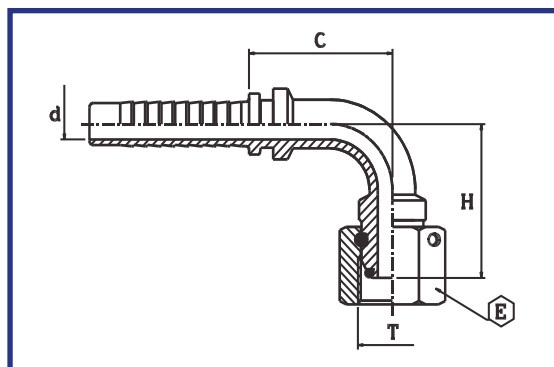
CURVA R9 BSP 45° CONO 60° DADO SPINATO
R9 BSP 45° SWEEP ELBOW 60° CONE THRUST WIRE NUT



Codice / Part nr	hose ID			thread	d	hex	drop	cut-off
	in	mm	size	T		E	H	C
RPF451414R9	1/4	6,4	04	1/4-19	4	19	16	38
RPF453838R9	3/8	9,5	06	3/8-19	7	22	19	45
RPF451212R9	1/2	12,7	08	1/2-14	9,5	27	23	53
RPF455858R9	5/8	15,9	10	5/8-14	12	30	24	60
RPF453434R9	3/4	16,0	12	3/4-14	15	32	29	73
RPF4511R9	1	25,4	16	1-11	20	38	35	86

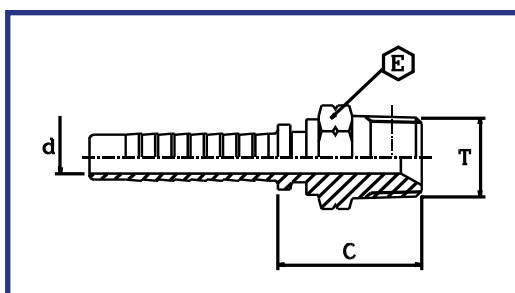


CURVA R9 BSP 90° CONO 60° DADO SPINATO
R9 BSP 90° SWEPT ELBOW 60° CONE THRUST WIRE NUT



Codice / Part nr	hose ID			thread	hex	drop	cut-off	
	in	mm	size	T	E	H	C	
RPF901414R9	1/4	6,4	04	1/4-19	4	19	28	26
RPF903838R9	3/8	9,5	06	3/8-19	7	22	34	35
RPF901212R9	1/2	12,7	08	1/2-14	9,5	27	40	40
RPF905858R9	5/8	16,0	10	5/8-14	12	30	46	46
RPF903434R9	3/4	19,0	12	3/4-14	15	32	56	58
RPF9011R9	1	25,4	16	1-11	20	38	67	72

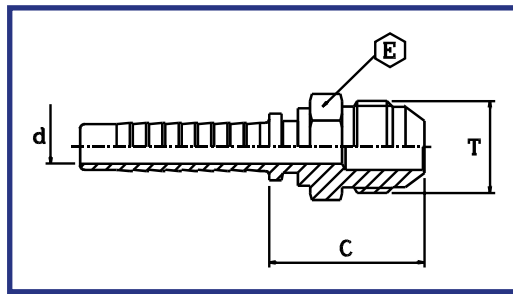
MASCHIO R9 NPT SV.60°
R9 NPT MALE 60° CONE



Codice / Part nr	hose ID			thread	hex	cut-off	
	in	mm	size	T	E	C	
RPMD14NPT14R9	1/4	6,4	04	1/4-18	4	15	29
RPMD38NPT14R9	1/4	6,4	04	3/8-18	4	19	29
RPMD38NPT38R9	3/8	9,5	06	3/8-18	7	19	29
RPMD12NPT12R9	1/2	12,7	08	1/2-14	9,5	22	35
RPMD34NPT34R9	3/4	19,0	12	3/4-14	15	30	39
RPMD1NPT1R9	1	25,4	16	1-11.1/2	20	36	46

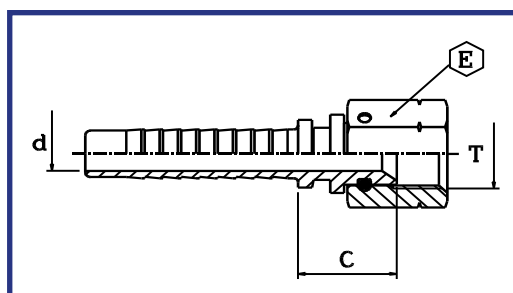


MASCHIO R9 JIC SV. 74°
R9 JIC MALE 74° CONE



Codice / Part nr	hose ID			thread	d	hex	cut-off
	in	mm	size	T			
RPMD916J14R9	1/4	6,4	04	9/16-18	4	12	28,4
RPMD716J14R9	1/4	6,4	04	7/16-20	4	12	27,8
RPMD916J38R9	3/8	9,5	06	9/16-18	7	15	28,4
RPMD34J12R9	1/2	12,7	08	3/4-16	9,5	19	31,5
RPMD78J12R9	1/2	12,7	08	7/8-14	9,5	24	35,6
RPMD78J58R9	5/8	16,0	10	7/8-14	12	24	35,6
RPMD1116J34R9	3/4	19,0	12	1.1/16-12	15	27	39,9
RPMD1516J34R9	3/4	25,4	16	1.5/16-12	15	34	43,1
RPMD1516J1R9	1	25,4	16	1.5/16-12	20	34	44,6

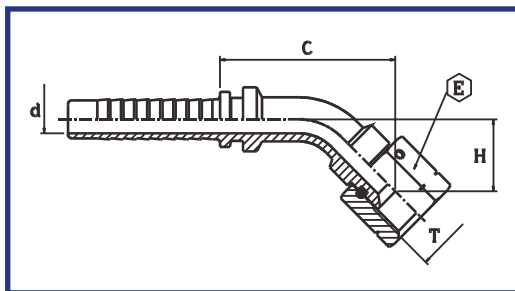
FEMMINA R9 JIC SV. 74° DADO SPINATO
R9 JIC FEMALE 74° CONE THRUST NUT



Codice / Part nr	hose ID			thread	d	hex	cut-off
	in	mm	size	T			
RPF916J14R9	1/4	6,4	04	9/16-18	4	19	18
RPF716J14R9	1/4	6,4	04	7/16-20	4	14	16
RPF916J38R9	3/8	9,5	06	9/16-18	7	19	18
RPF34J12R9	1/2	12,7	08	3/4-16	9,5	24	20
RPF78J12R9	1/2	12,7	08	7/8-14	9,5	27	21
RPF78J58R9	5/8	16,0	10	7/8-14	12	27	21
RPF1116J34R9	3/4	19,0	12	1.1/16-12	15	32	23
RPF1516J1R9	1	25,4	16	1.5/16-12	20	41	27

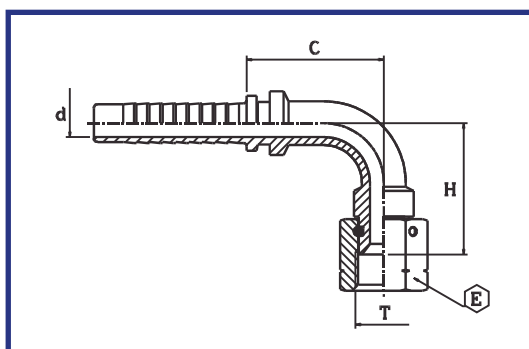


CURVA R9 JIC 45° SV. 74° DADO SPINATO R9 JIC 45° SWEEP ELBOW 74° CONE THRUST WIRE NUT



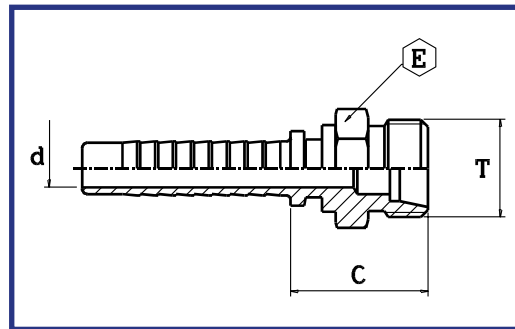
Codice / Part nr	hose ID			thread	d	hex	drop	cut-off
	in	mm	size	T		E	H	C
RPF45716J14R9	1/4	6,4	04	7/16-20	4	14	14	37
RPF45916J38R9	3/8	9,5	06	9/16-18	7	19	18	45
RPF4534J12R9	1/2	12,7	08	3/4-16	9,5	24	22	53
RPF4578J12R9	1/2	12,7	08	7/8-14	9,5	27	23	54
RPF4578J58R9	5/8	16,0	10	7/8-14	12	27	23	60
RPF451116J34R9	3/4	19,0	12	1.1/16-12	15	32	28	71
RPF451516J1R9	1	25,4	16	1.5/16-12	20	41	36	86

CURVA R9 JIC 90° SV. 74° DADO SPINATO R9 JIC 90° SWEEP ELBOW 74° CONE THRUST WIRE NUT



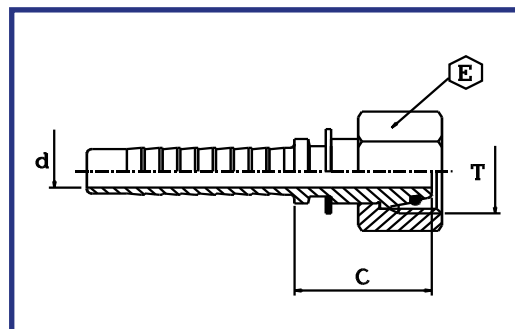
Codice / Part nr	hose ID			thread	d	hex	drop	cut-off
	in	mm	size	T		E	H	C
RPF90716J14R9	1/4	6,4	04	7/16-20	4	14	26	26
RPF90916J38R9	3/8	9,5	06	9/16-18	7	19	33	35
RPF9034J12R9	1/2	12,7	08	3/4-16	9,5	24	39	40
RPF9078J12R9	1/2	12,7	08	7/8-14	9,5	27	41	40
RPF9078J58R9	5/8	16,0	10	7/8-14	12	27	45	46
RPF901116J34R9	3/4	19,0	12	1.1/16-12	15	32	54	58
RPF901516J1R9	1	25,4	16	1.5/16-12	20	41	68	72

MASCHIO R9 METRICO SV. 24° SERIE PESANTE R9 METRIC MALE 24° SEAT HEAVY



Codice / Part nr	hose ID			thread	erm.	hex	d	cut-off
	in	mm	size	T		E		C
RPMD241512R9	1/2	12,7	08	M24-1.5	16	24	9,5	32
RPMD30258R9	5/8	16,0	10	M30-2	20	30	12,0	34
RPMD36234R9	3/4	19,0	12	M36-2	25	36	15,0	40
RPMD4221R9	1	25,4	16	M42-2	30	46	20,0	44

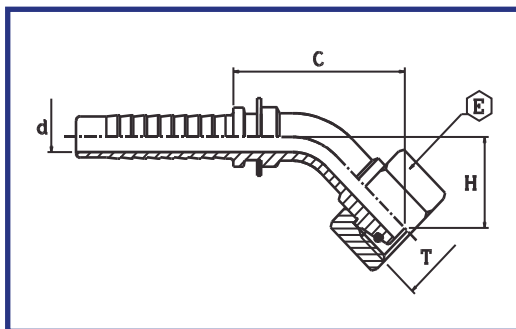
FEMMINA R9 METRICA SV. 24° SERIE PESANTE R9 METRIC FEMALE 24° SEAT HEAVY



Codice / Part nr	hose ID			thread	erm.	hex	d	cut-off
	in	mm	size	T		E		C
RPF141514R9	1/4	6,4	04	M14-1.5	6	17	4	23
RPF161514R9	1/4	6,4	04	M16-1.5	8	19	4	27
RPF181514R9	1/4	6,4	04	M18-1.5	10	22	4	24
RPF201514R9	1/4	6,4	04	M20-1.5	12	24	4	27
RPF201538R9	3/8	9,5	06	M20-1.5	12	24	7	27
RPF221538R9	3/8	9,5	06	M22-1.5	14	27	7	29
RPF241538R9	3/8	9,5	06	M24-1.5	16	30	7	29
RPF241512R9	1/2	12,7	08	M24-1.5	16	30	9,5	29
RPF30258R9	5/8	16,0	10	M30-2	20	36	12	34
RPF36234R9	3/4	19,0	12	M36-2	25	41	15	41
RPF4221R9	1	25,4	16	M42-2	30	50	20	45

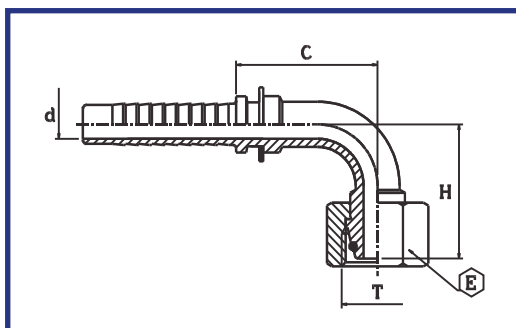


CURVA R9 METRICA 45° SV. 24° SERIE PESANTE
R9 45° METRIC SWEEP ELBOW 24° SEAT HEAVY



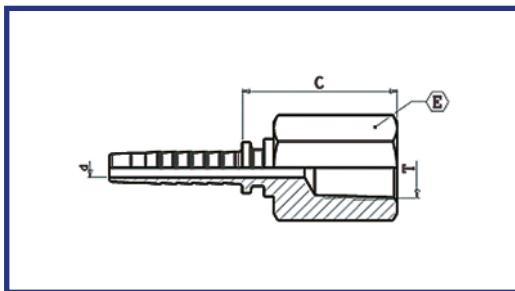
Codice / Part nr	hose ID			thread	erm.	hex	drop	cut-off	
	in	mm	size	T		E	H	C	
RPF45241512R9	1/2	12,7	08	M24-1.5	16	30	9,5	23	49
RPF4530258R9	5/8	16,0	10	M30-2	20	36	12,0	28	64
RPF4536234R9	3/4	19,0	12	M36-2	25	46	15,0	31	75
RPF454221R9	1	25,4	16	M42-2	30	50	20,0	33	84

CURVA R9 METRICA 90° SV. 24° SERIE PESANTE
R9 90° METRIC SWEEP ELBOW 24° SEAT HEAVY



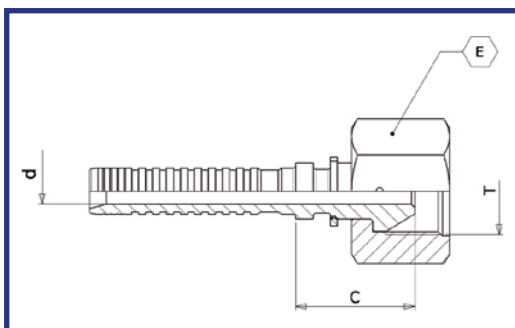
Codice / Part nr	hose ID			thread	erm.	hex	drop	cut-off	
	in	mm	size	T		E	H	C	
RPF90241512R9	1/2	12,7	08	M24-1.5	16	30	9,5	38	42
RPF9030258R9	5/8	16,0	10	M30-2	20	36	12,0	49	47
RPF9030234R9	3/4	19,0	12	M30-2	25	46	15,0	55	59
RPF9036234R9	3/4	19,0	12	M36-2	25	46	15,0	58	58
RPF904221R9	1	25,4	16	M42-2	30	50	20,0	66	74

FEMMINA R9 NPTFR CONICO R9 NPTFR FEMALE CONE



Codice / Part nr	hose ID			thread	d	hex	cut-off
	in	mm	size	T		E	C
RPFD14NPTFR14R9	1/4	6,4	04	1/4-18	4	19	32

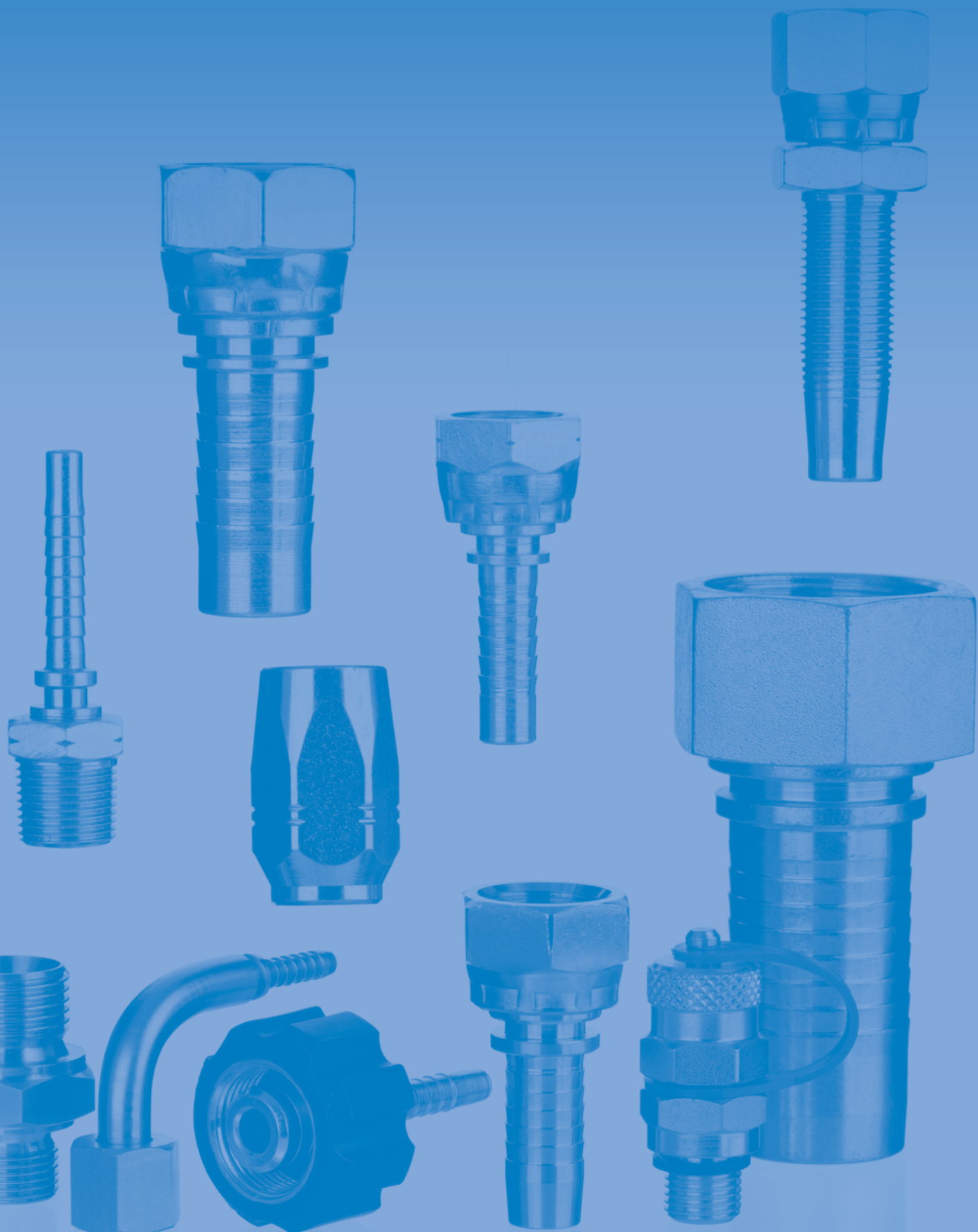
FEMMINA SPECIALE BSP SV 60° SPECIAL BSP FEMALE 60° CONE



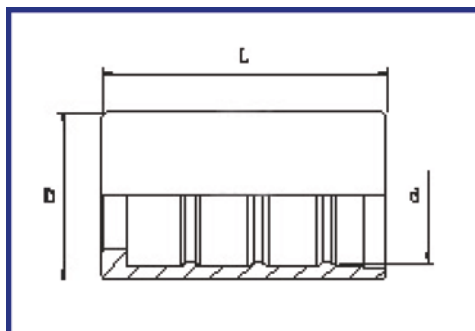
Codice / Part nr	hose ID			thread	d	hex	cut-off
	in	mm	size	T		E	C
RPFD14316MTKM	3/16	4,8	03	1/4-19	3,0	22	25,5
RPFD1212MTKM	1/2	12,7	08	1/2-14	7,5	32	33,5
RPFD1UNF12MTKM	1/2	12,7	08	1UNF	7,5	36	34,5

**BOCCOLE, RACCORDI E
MINIPRESE PER MICROTUBI**

***FERRULE, FITTINGS AND
COUPLING FOR MICRO-HOSES***

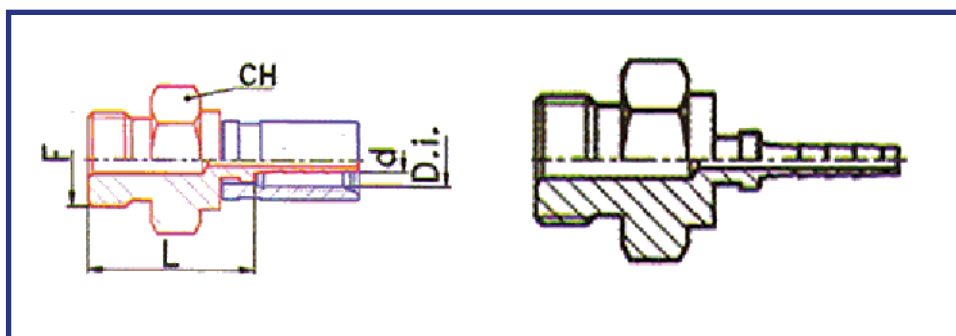


BOCCOLE A PRESSARE PER TUBI SERIE TEST7 – TEST8 SWAGED FERRULE FOR HOSES TEST7 – TEST 8 SERIES



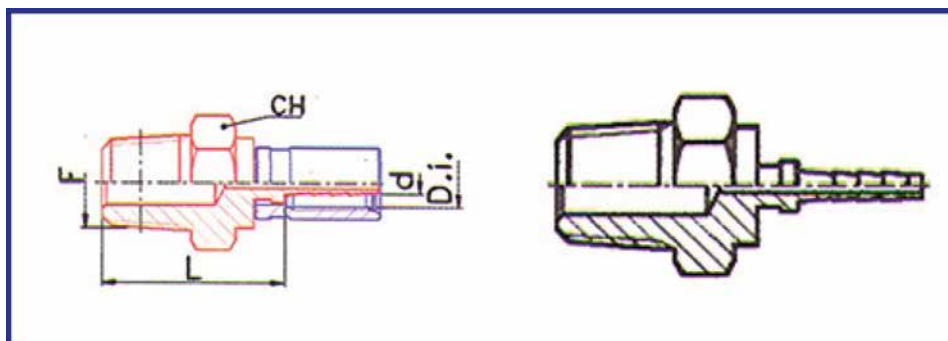
Codice Boccola Ferrule Code	Tubo Hose	Dimensioni Boccola / Ferrule dimensions		
		d	D	L
BPTS50	1/12"	5,2	8,0	14,0
BPTS55	1/12" - 1/10"	5,7	8,0	15,0
BPTS60	1/8"	6,3	9,0	14,8

MASCHIO GAS BSP BSP MALE FLAT SEAT



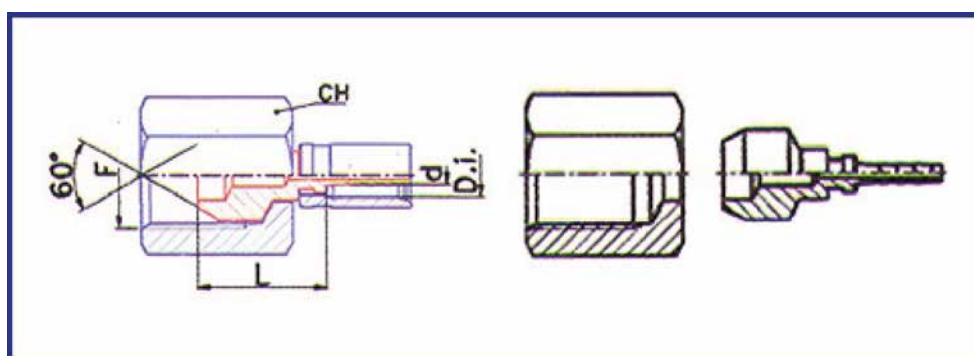
Codice / Part nr	Dimensioni / dimensions				
	F	CH	L	d	D.I.
RTSMD18	G1/8	13	19,0	2,2	5,2

MASCHIO CONICO CONICAL MALE FLAT SEAT



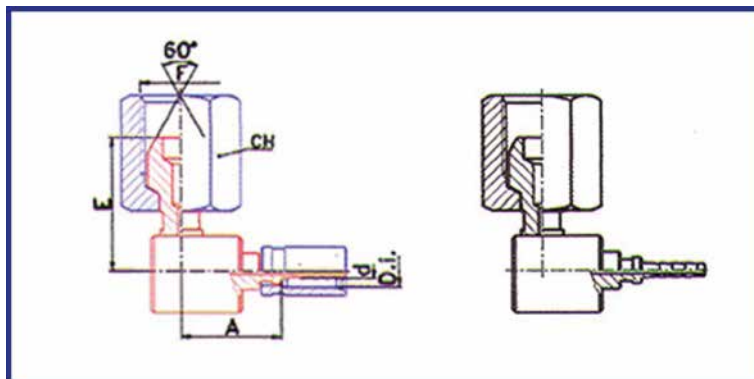
Codice / Part nr	Dimensioni / dimensions				
	F	CH	L	d	D.I.
RTSMD18NPT	1/8 NPTF	13	21.0	2.2	5.2

FEMMINA GIREVOLE SEDE OGIVA 60° BSP FEMALE SWIVEL 60° CONE



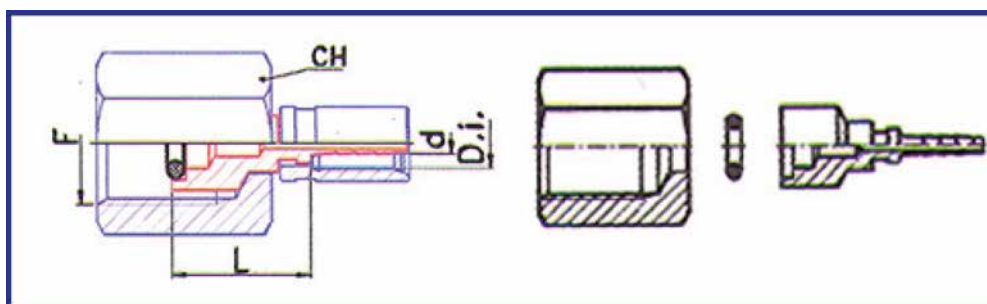
Codice / Part nr	Dimensioni / dimensions				
	F	CH	L	d	D.I.
RTSFD18	G1/8	13	13.6	2.2	5.2
RTSFD14	G1/4	17	16.2	2.2	5.2
RTSFD38	G3/8	22	16.2	2.2	5.2
RTSFD101	M 10x1	12	13.6	2.2	5.2
RTSFD1415	M 14x1.5	17	16.2	2.2	5.2
RTSFD1430	G1/4	17	16.2	3.0	6.3

FEMMINA 90° GIREVOLE SEDE OGIVA 60°
ELBOW 90° BSP FEMALE SWIVEL 60° CONE



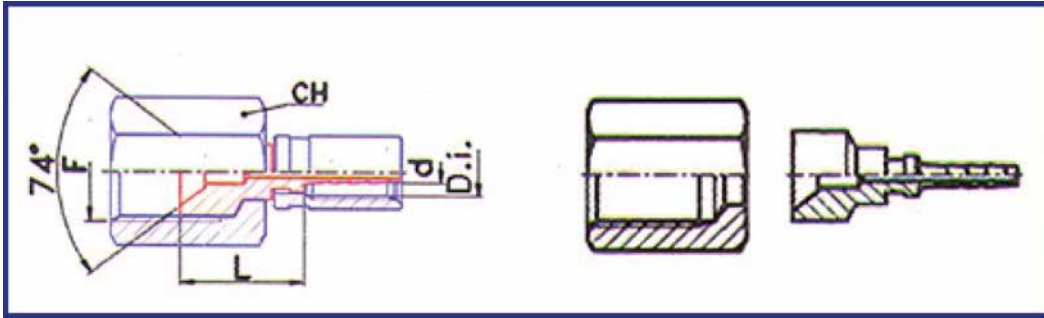
Codice / Part nr	Dimensioni / dimensions					
	F	CH	A	E	d	D.I.
RTSF9018	G1/8	13	15.5	16.5	2.2	5.2
RTSF9014	G1/4	17	15.5	19.0	2.2	5.2

FEMMINA GIREVOLE SEDE PIANA CON O' RING PER MANOMETRO
SWIVEL FEMALE FLAT FACE FOR PRESSURE GAUGE



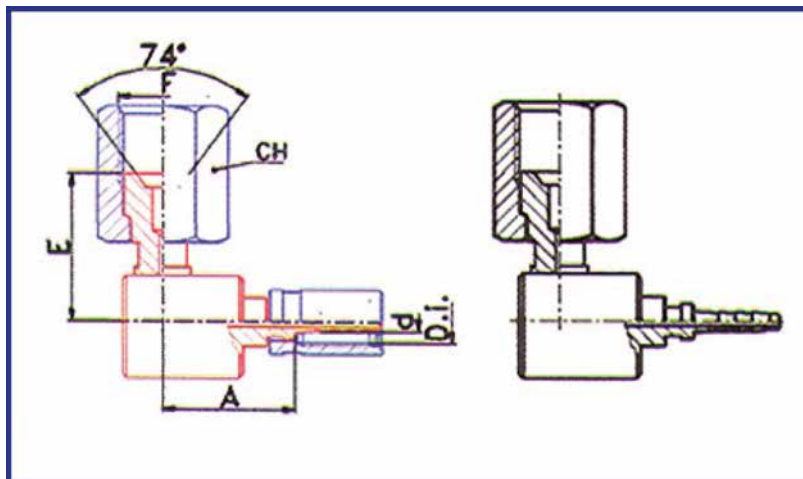
Codice / Part nr	Dimensioni / dimensions				
	F	CH	L	d	D.I.
RTSFD14OR	G1/4	17	15.0	2.2	5.2
RTSFD12OR	G1/2	24	16.0	2.2	5.2

FEMMINA JIC SV. 74°
JIC 74° FEMALE SWIVEL



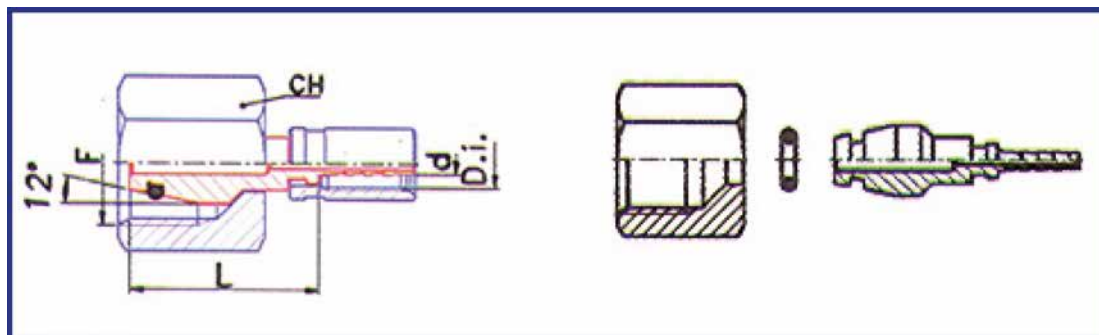
Codice / Part nr	Dimensioni / dimensions				
	F	CH	L	d	D.I.
RTSFD716J	7/16 UNF	14	12.5	2.2	5.2

FEMMINA JIC 90° SV. 74°
ELBOW 90° JIC 74° FEMALE SWIVEL



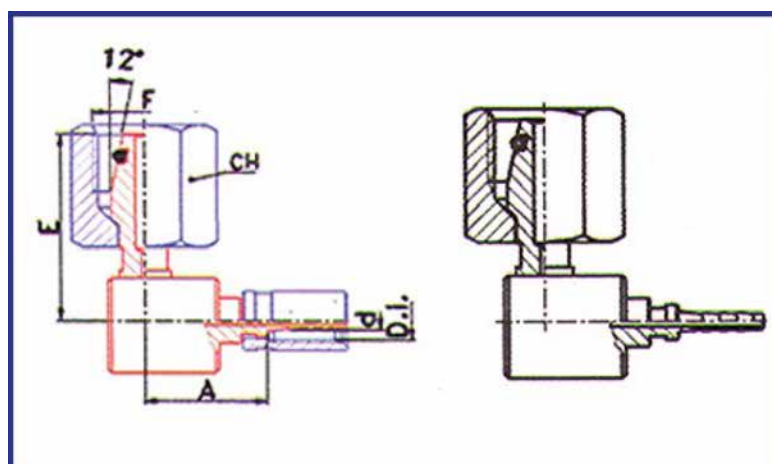
Codice / Part nr	Dimensioni / dimensions					
	F	CH	A	E	d	D.I.
RTSF90716J	7/16 UNF	14	15.5	15.0	2.2	5.2

FEMMINA METRICA CON O'RING PER RACCORDO DIN 2353
METRIC 24° O'RING FEMALE SWIVEL SUITABLE FOR DIN 2353



Codice / Part nr	Dimensioni / dimensions				
	F	CH	L	d	D.I.
RTSFD12156DIN	M12x1.5 (6)	14	20.5	2.2	5.2
RTSFD14156DIN	M14x1.5 (6)	17	20.5	2.2	5.2
RTSFD14158DIN	M14x1.5 (8)	17	25.0	2.2	5.2
RTSFD16158DIN	M16x1.5 (8)	19	25.0	2.2	5.2

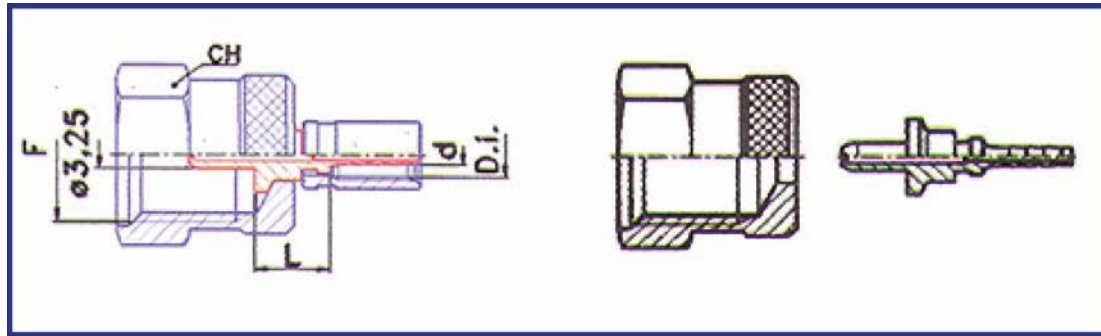
FEMMINA METRICA 90° CON O'RING PER RACCORDO DIN 2353
ELBOW 90° METRIC O'RING FEMALE - SUITABLE FOR DIN 2353



Codice / Part nr	Dimensioni / dimensions					
	F	CH	A	E	d	D.I.
RTSF901215DIN	M12x1.5 (6)	14	15.5	25.0	2.2	5.2
RTSF901415DIN	M14x1.5 (6)	17	15.5	25.0	2.2	5.2
RTSF901615DIN	M16x1.5 (8)	19	15.5	24.5	2.2	5.2

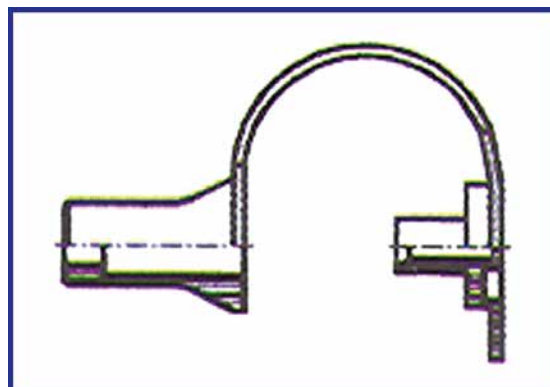


FEMMINA GIREVOLE A SPINA PER RACCORDO DI CONTROLLO SWIVEL FEMALE CONNECTING TESTING FITTING



Codice / Part nr	Dimensioni / dimensions				
	F	CH	L	d	D.I.
RTSFD162SP	M16x2	19	9.0	2.2	5.2
RTSFD1615SP	M16x1.5	19	9.0	2.2	5.2

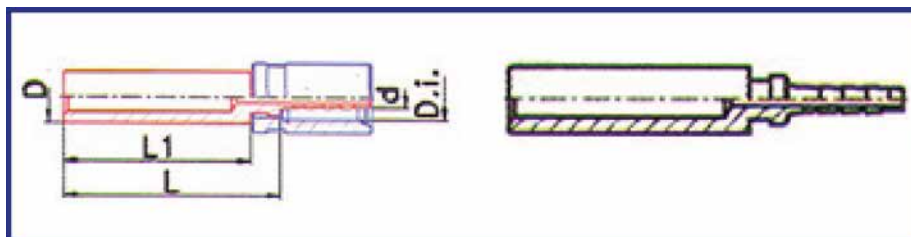
PARAPOLVERE DUST PROTECTION CUP



Codice part nr.

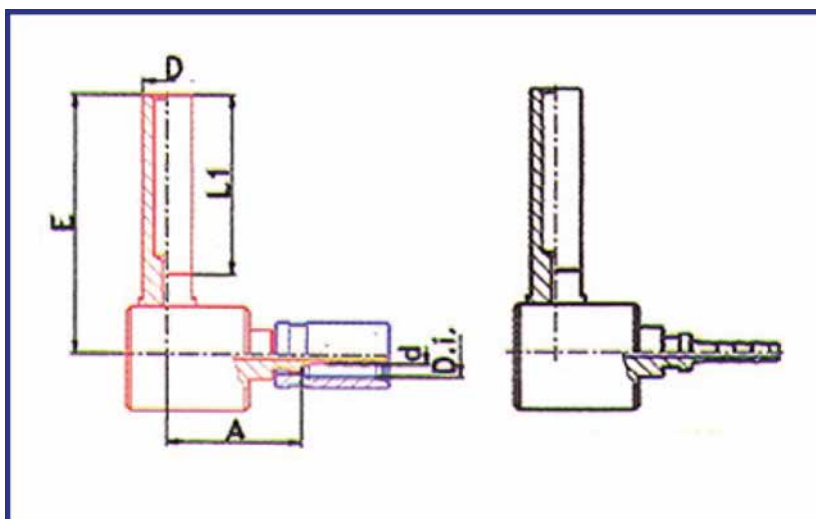
RTSPARAPOLVERE

CODOLO DIRITTO STANDPIPE



Codice / Part nr	Dimensioni / dimensions				
	D	L	L1	d	D.I.
RTSEP4	4	24.5	21.0	2.2	5.2
RTSEP6	6	24.5	21.0	2.2	5.2
RTSEP8	8	24.5	19.5/21,0	2.2	5.2

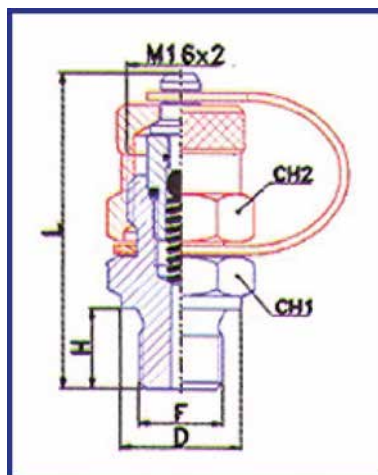
CODOLO A 90° ELBOW 90° STANDPIPE



Codice / Part nr	Dimensioni / dimensions				
	D	A	E	d	D.I.
RTSEP906	6	15.5	28.0	2.2	5.2
RTSEP908	8	15.5	28.0	2.2	5.2

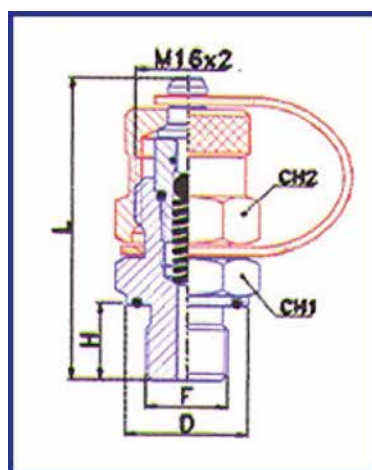


MASCHI FILETTATURA CILINDRICA – TENUTA SULLO SPIGOLO MALE PARALLEL THREAD – SHARP EDGE SEALING



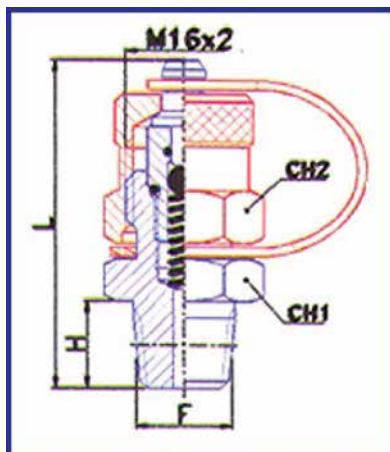
Codice / Part nr	Dimensioni / dimensions					
	F	D	H	L	CH1	CH2
RTSMM101	M10x1	14.0	9.0	45.0	17	19

MASCHI FILETTATURA CILINDRICA – TENUTA O’RING FRONTALE MALE PARALLEL THREAD – FRONTAL O’RING SEALING



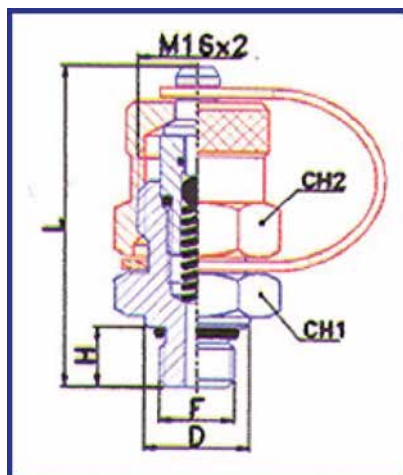
Codice / Part nr	Dimensioni / dimensions					
	F	D	H	L	CH1	CH2
RTSMM18OR	G1/8	14.0	8.5	44.5	17	19
RTSMM14OR	G1/4	18.8	12.0	48.0	19	19
RTSMM1215OR	M12x1.5	16.8	12.0	48.0	17	19
RTSMM1415OR	M14x1.5	18.8	12.0	48.0	19	19

MASCHI FILETTATURA CONICA – TENUTA SUL FILETTO MALE TAPER THREAD – THREAD SEALING



Codice / Part nr	Dimensioni / dimensions				
	F	H	L	CH1	CH2
RTSMMR18K	R1/8K	8.0	44.0	17	19
RTSMMR14K	R1/4K	12.0	48.0	19	19
RTSMM18NPT	1/8 NPT	10.0	46.0	17	19
RTSMM14NPT	1/4 NPT	15.0	49.0	19	19

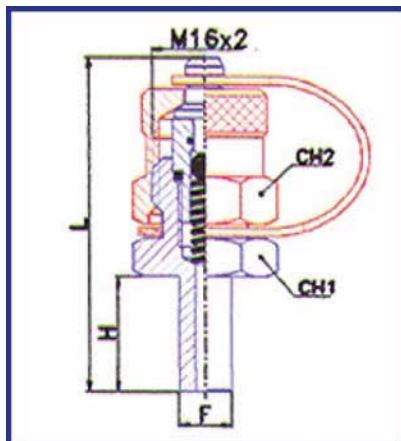
MASCHI FILETTATURA CILINDRICA – TENUTA O’RING RADIALE MALE PARALLEL THREAD – RADIAL O’RING SEALING



Codice / Part nr	Dimensioni / dimensions					
	F	D	H	L	CH1	CH2
RTSMM81OR	M8x1	9.3	7.8	43.5	17	19
RTSMM101OR	M10x1	14.0	9.0	45.0	17	19
RTSMM716OR	7/16 UNF	14.0	9.3	45.0	17	19
RTSMM916OR	9/16 UNF	18.8	10.0	45.0	19	19

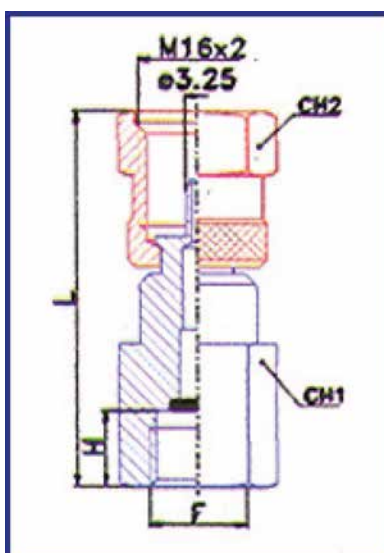


PERNO LISCIO STANDPIPE



Codice / Part nr	Dimensioni / dimensions				
	F	H	L	CH1	CH2
RTSME6	6	17.5	51.0	17	19
RTSME8	8	17.5	51.0	17	19
RTSME10	10	19.5	53.0	17	19
RTSME12	12	19.5	53.0	17	19

NIPLES SPECIALE PER COLLEGAMENTO MANOMETRO SPECIAL NIPPLE FOR PRESSURE GAUGE CONNECTION

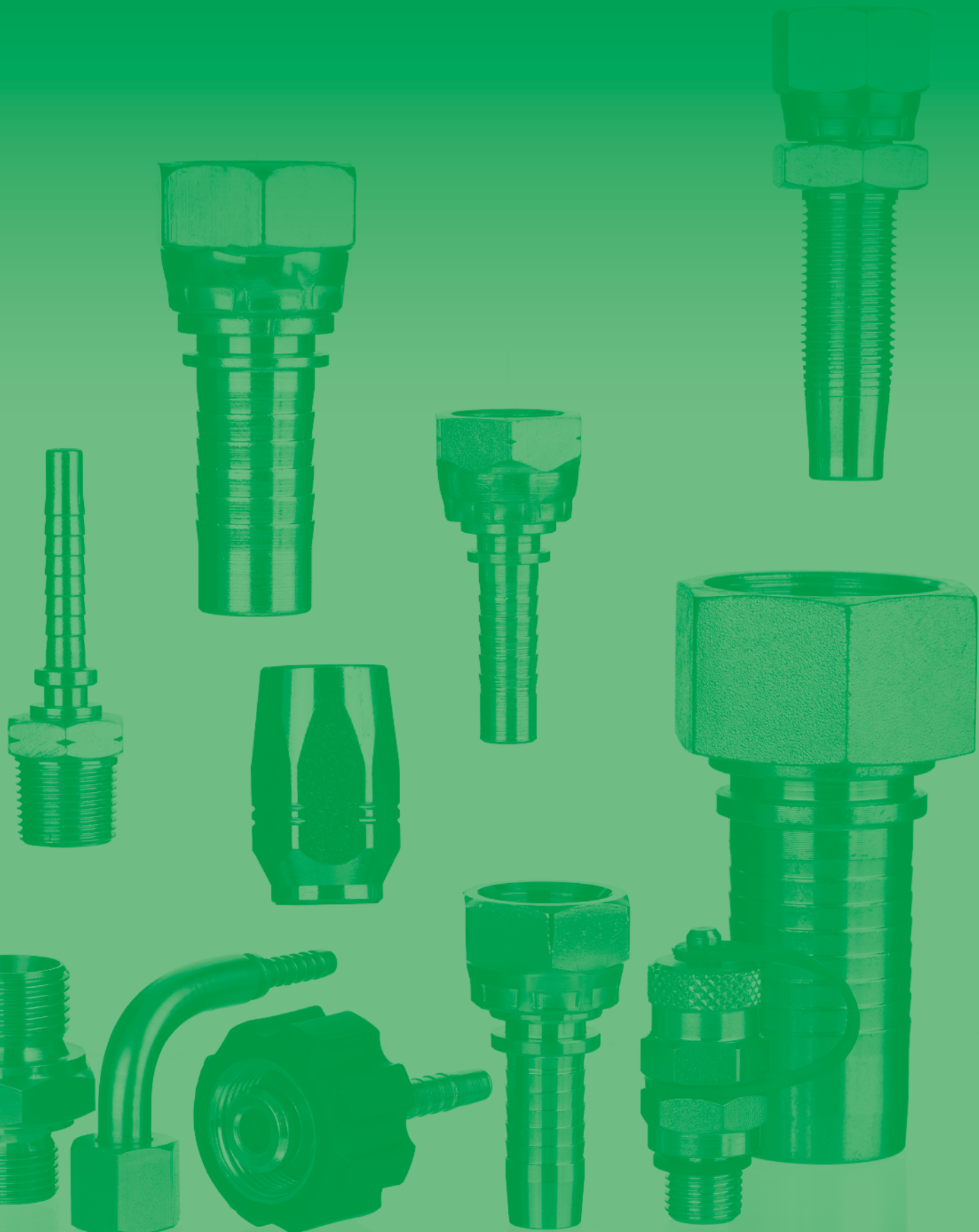


Codice / Part nr	Dimensioni / dimensions				
	F	H	L	CH1	CH2
RTSN14	G1/4	10.5	47.5	19	19

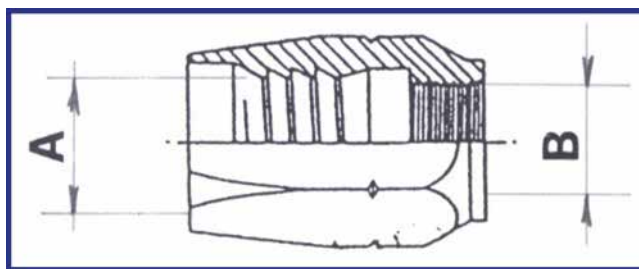


**BOCCOLE E RACCORDI
RECUPERABILI**

**REUSABLE
FERRULE AND FITTINGS**

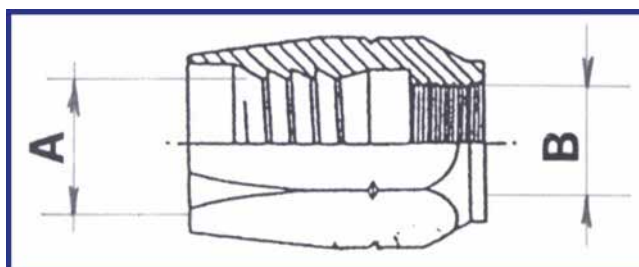


BOCCOLA RECUPERABILE PER TUBO OL5
REUSABLE FERRULE FOR HOSES OL5 SERIES



Codice / Part nr	Tubo / Hose	A	B
BR48OL5	5/32"	7.6	6x0.75
BR316OL5	3/16"	9.1	7x0.75
BR14OL5	1/4"	10.2	9x1

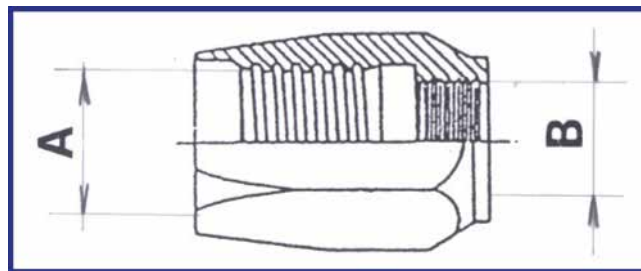
BOCCOLA RECUPERABILE PER TUBO R7 - R7M
REUSABLE FERRULE FOR HOSES R7 - R7M SERIES



Codice / Part nr	Tubo / Hose	A	B
BR316R7	3/16"	9.5	7x0.75
BR14R7	1/4"	11.5	9x1
BR14R7M	1/4"M	12.1	9x1
BR516R7	5/16"	13.6	11x1
BR38R7	3/8"	15.2	13x1
BR12R7	1/2"	19.3	5/8" UNF
BR58R7	5/8"	22.5	19x1.25
BR34R7	3/4"	25.5	22x1.5
BR1R7	1"	31.5	1" 3/16" F16

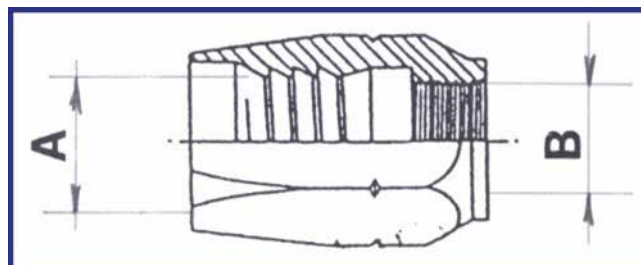


BOCCOLA RECUPERABILE PER TUBO MT1 - MTH1 REUSABLE FERRULE FOR HOSES MT1 - MTH1 SERIES



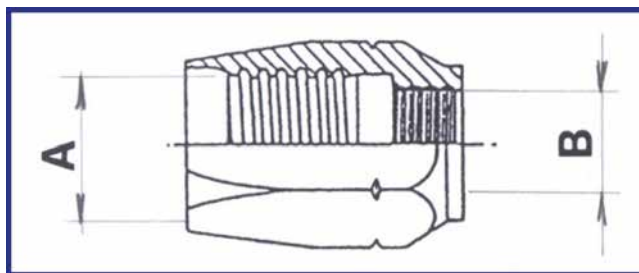
Codice / Part nr	Tubo / Hose	A	B
BR316R7	3/16"	9.5	7x0.75
BR14MT1	1/4"	10.8	9x1
BR516MT1	5/16"	13.0	11x1
BR38MT1	3/8"	14.2	13x1
BR12MT1	1/2"	18.2	5/8" UNF

BOCCOLA RECUPERABILE PER TUBO R1 (DA PELARE) REUSABLE FERRULE FOR HOSES R1 SERIES (SKIVE)



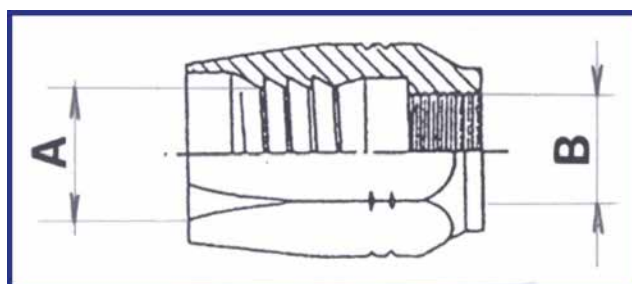
Codice / Part nr	Tubo / Hose	A	B
BR316R1	3/16"	(11.5 NP)	7x0.75
BR14R1	1/4"	10.5	9x1
BR516R1	5/16"	12.6	11x1
BR38R1	3/8"	14.5	13x1
BR12R1	1/2"	17.5	5/8" UNF
BR58R1	5/8"	20.5	19x1.25
BR34R1	3/4"	24.5	22x1.5
BR1R1	1"	32.0	1" 3/16" F16
BR114R1	1" 1/4	40.5	38x1.5

BOCCOLA RECUPERABILE PER TUBO R1T
REUSABLE FERRULE FOR HOSES R1T SERIES



Codice / Part nr	Tube / Hose	A	B
BR316R1T	3/16"	11.0	7x0.75
BR14R1T	1/4"	12.6	9x1
BR516R1T	5/16"	14.0	11x1
BR38R1T	3/8"	16.3	13x1
BR12R1T	1/2"	19.6	5/8" UNF
BR58R1T	5/8"	22.5	19x1.25
BR34R1T	3/4"	26.5	22x1.5
BR1R1T	1"	34.5	1" 3/16" F16
BR114R1T	1" 1/4	42.2	38x1.5
BR112R1T	1" 1/2	48.6	47x1.5

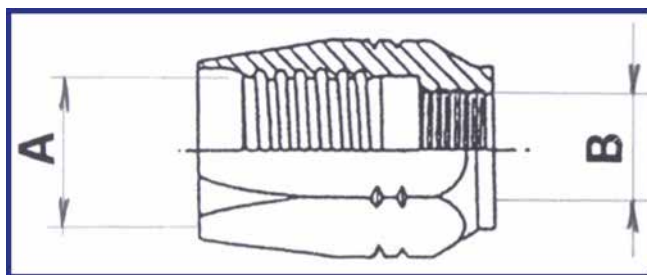
BOCCOLA RECUPERABILE PER TUBO R2 (DA PELARE)
REUSABLE FERRULE FOR HOSES R2 SERIES (SKIVE)



Codice / Part nr	Tube / Hose	A	B
BR14R2	1/4"	11.5	9x1
BR516R2	5/16"	13.5	11x1
BR38R2	3/8"	16.1	13x1
BR12R2	1/2"	19.1	5/8" UNF
BR58R2	5/8"	22.0	19x1.25
BR34R2	3/4"	25.6	22x1.5
BR1R2	1"	33.6	1" 3/16" F16
BR114R2	1" 1/4	42.0	38x1.5
BR112R2	1" 1/2	49.0	47x1.5

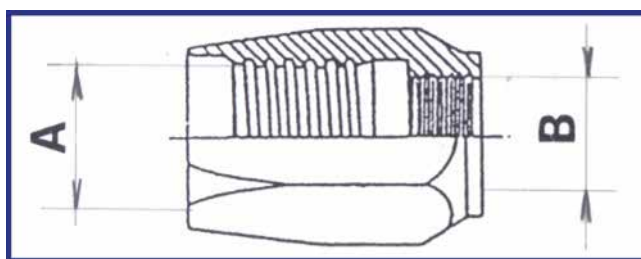


BOCCOLA RECUPERABILE PER TUBO R2T REUSABLE FERRULE FOR HOSES R2T SERIES



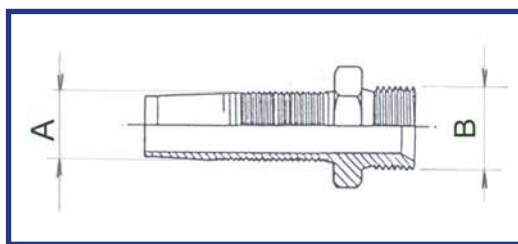
Codice / Part nr	Tube / Hose	A	B
BR14R2T	1/4"	14.0	9x1
BR516R2T	5/16"	15.0	11x1
BR38R2T	3/8"	17.5	13x1
BR12R2T	1/2"	20.0	5/8" UNF
BR58R2T	5/8"	24.0	19x1.25
BR34R2T	3/4"	27.5	22x1.5
BR1R2T	1"	36.5	1" 3/16" F16

BOCCOLA RECUPERABILE PER TUBO R3-R5 REUSABLE FERRULE FOR HOSES R3-R5 SERIES



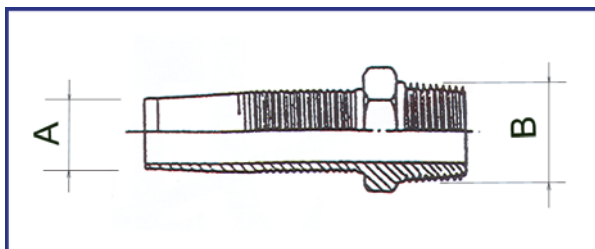
Codice / Part nr	Tube / Hose	A	B
BR316R3	3/16"	11.5	7x0.75
BR14R3	1/4"	13.4	9x1
BR516R3	5/16"	15.5	11x1
BR38R3	3/8"	17.5	13x1
BR12R3	1/2"	21.5	5/8" UNF
BR58R3	5/8"	25.0	19x1.25
BR34R3	3/4"	30.0	22x1.5
BR1R3	1"	36.5	1" 3/16" F16

MASCHIO RECUPERABILE BSP SV.60°
BSP MALE REUSABLE 60° CONE



Codice / Part nr	Tube / Hose	A	B (thread)
RRMD18316	3/16"	7x0.75	1/8"
RRMD1414	1/4"	9x1	1/4"
RRMD3814	1/4"	9x1	3/8"
RRMD38516	5/16"	11x1	3/8"
RRMD3838	3/8"	13x1	3/8"
RRMD1238	3/8"	13x1	1/2"
RRMD1212	1/2"	5/8" UNF	1/2"
RRMD5858	5/8"	19x1.25	5/8"
RRMD3458	5/8"	19x1.25	3/4"
RRMD3434	3/4"	22x1.5	3/4"
RRMD134	3/4"	22x1.5	1"
RRMD11	1"	1" 3/16" F16	1"

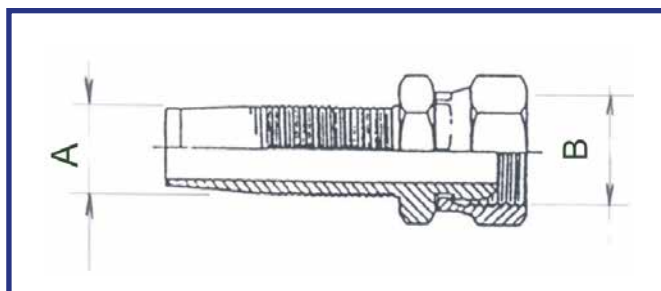
MASCHIO RECUPERABILE BSP CONICO
BSP MALE REUSABLE CONE



Codice / Part nr	Tube / Hose	A	B (thread)
RRMDC18316	3/16"	7x0.75	1/8"
RRMDC1414	1/4"	9x1	1/4"
RRMDC38516	5/16"	11x1	3/8"
RRMDC3838	3/8"	13x1	3/8"
RRMDC1238	3/8"	13x1	1/2"
RRMDC1212	1/2"	5/8" UNF	1/2"
RRMDC3458	5/8"	19x1.25	3/4"
RRMDC3434	3/4"	22x1.5	3/4"
RRMDC11	1"	1" 3/16" F16	1"
RRMDC114114	1" 1/4	38x1.5	1" 1/4
RRMDC112112	1" 1/2	47x1.5	1" 1/2

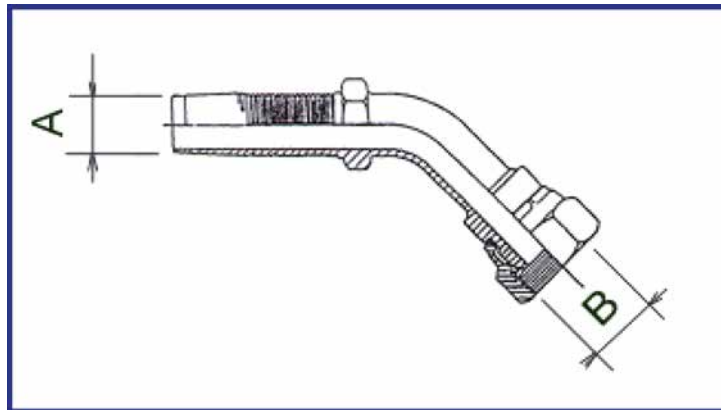


FEMMINA RECUPERABILE BSP SV.60° DADO PINZATO
BSP FEMALE REUSABLE 60° CONE



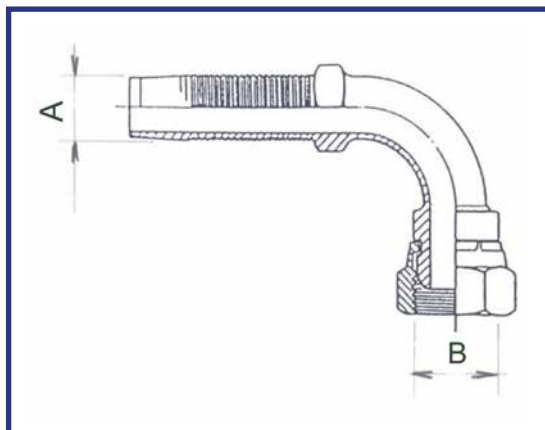
Codice / Part nr	Tubo / Hose	A	B (thread)
RRFD1848	5/32" (8x4)	6x0.75	1/8"
RRFD1448	5/32" (8x4)	6x0.75	1/4"
RRFD18316	3/16"	7x0.75	1/8"
RRFD14316	3/16"	7x0.75	1/4"
RRFD1414	1/4"	9x1	1/4"
RRFD3814	1/4"	9x1	3/8"
RRFD14516	5/16"	11x1	1/4"
RRFD38516	5/16"	11x1	3/8"
RRFD3838	3/8"	13x1	3/8"
RRFD1238	3/8"	13x1	1/2"
RRFD1212	1/2"	5/8" UNF	1/2"
RRFD5812	1/2"	5/8" UNF	5/8"
RRFD5858	5/8"	19x1.25	5/8"
RRFD3458	5/8"	19x1.25	3/4"
RRFD3434	3/4"	22x1.5	3/4"
RRFD11	1"	1" 3/16" F16	1"
RRFD114114	1" 1/4	38x1.5	1" 1/4
RRFD112112	1" 1/2	47x1.5	1" 1/2

FEMMINA RECUPERABILE 45° BSP SV.60° DADO PINZATO
BSP 45° REUSABLE SWEPT ELBOW 60° CONE



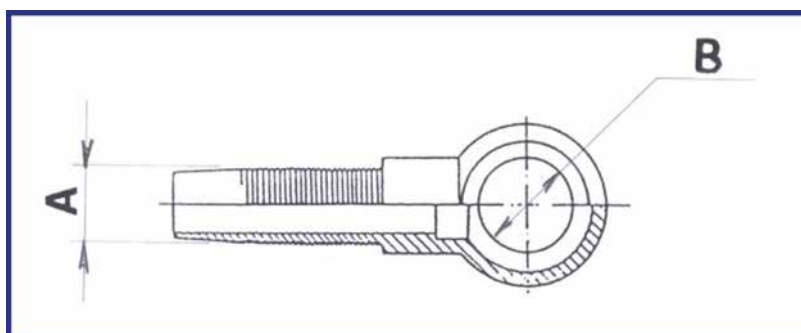
Codice / Part nr	Tubo / Hose	A	B (thread)
RRF4518316	3/16"	7x0.75	1/8"
RRF4514316	3/16"	7x0.75	1/4"
RRF451414	1/4"	9x1	1/4"
RRF4538516	5/16"	11x1	3/8"
RRF453838	3/8"	13x1	3/8"
RRF451238	3/8"	13x1	1/2"
RRF451212	1/2"	5/8" UNF	1/2"
RRF455858	5/8"	19x1.25	5/8"
RRF453458	5/8"	19x1.25	3/4"
RRF453434	3/4"	22x1.5	3/4"
RRF45134	3/4"	22x1.5	1"
RRF4511	1"	1" 3/16" F16	1"
RRF45114114	1" 1/4	38x1.5	1" 1/4
RRF45112112	1" 1/2	47x1.5	1" 1/2

FEMMINA RECUPERABILE 90° BSP SV.60° DADO PINZATO
BSP 90° REUSABLE SWEEP ELBOW 60° CONE



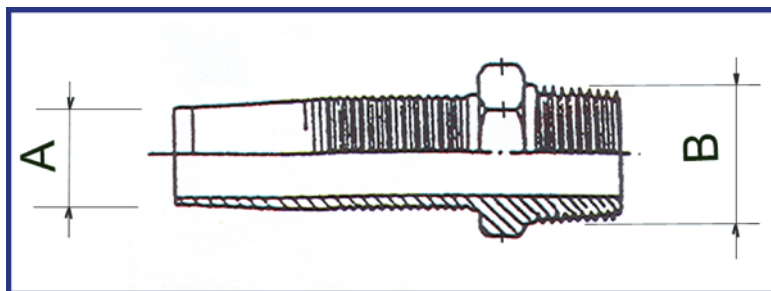
Codice / Part nr	Tube / Hose	A	B (thread)
RRF901848	5/32" (8x4)	6x0.75	1/8"
RRF901448	5/32" (8x4)	6x0.75	1/4"
RRF9018316	3/16"	7x0.75	1/8"
RRF9014316	3/16"	7x0.75	1/4"
RRF901414	1/4"	9x1	1/4"
RRF903814	1/4"	9x1	3/8"
RRF9014516	5/16"	11x1	1/4"
RRF9038516	5/16"	11x1	3/8"
RRF903838	3/8"	13x1	3/8"
RRF901238	3/8"	13x1	1/2"
RRF901212	1/2"	5/8" UNF	1/2"
RRF905858	5/8"	19x1.25	5/8"
RRF903458	5/8"	19x1.25	3/4"
RRF903434	3/4"	22x1.5	3/4"
RRF90134	3/4"	22x1.5	1"
RRF9011	1"	1" 3/16" F16	1"
RRF901114	1" 1/4	38x1.5	1"
RRF90114114	1" 1/4	38x1.5	1" 1/4
RRF90112112	1" 1/2	47x1.5	1" 1/2

OCCHIO RECUPERABILE BSP BSP REUSABLE BANJO



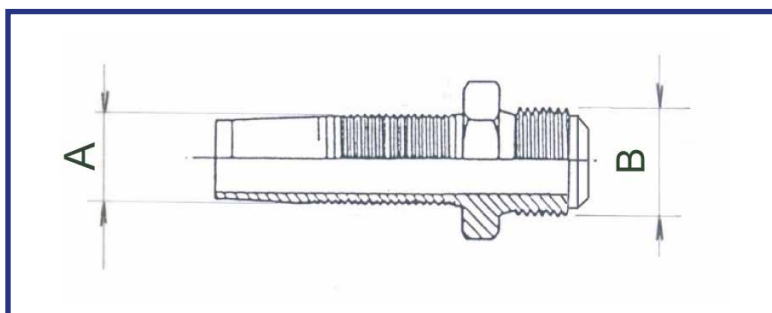
Codice / Part nr	Tubo / Hose	A	B
OR1848	5/32" (8x4)	6x0.75	1/8"
OR18316	3/16"	7x0.75	1/8"
OR14316	3/16"	7x0.75	1/4"
OR1814	1/4"	9x1	1/8"
OR1414	1/4"	9x1	1/4"
OR3814	1/4"	9x1	3/8"
OR38516	5/16"	11x1	3/8"
OR3838	3/8"	13x1	3/8"
OR1238	3/8"	13x1	1/2"
OR1212	1/2"	5/8" UNF	1/2"
OR3458	5/8"	19x1.25	3/4"
OR3434	3/4"	22x1.5	3/4"

MASCHIO RECUPERABILE NPT CONICO NPT MALE REUSABLE CONE



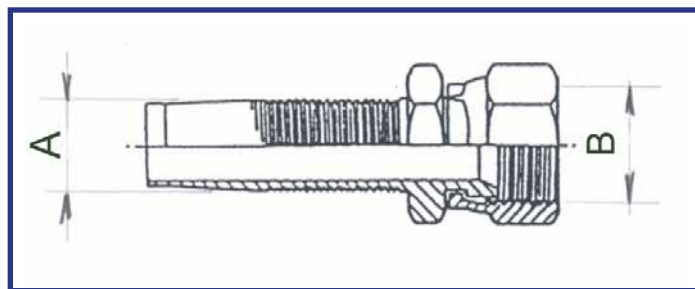
Codice / Part nr	Tube / Hose	A	B (thread)
RRMDC14NPT14	1/4"	9x1	1/4" NPT
RRMDC14NPT516	5/16"	11x1	1/4" NPT
RRMDC38NPT38	3/8"	13x1	3/8" NPT
RRMDC12NPT38	3/8"	13x1	1/2" NPT
RRMDC12NPT12	1/2"	5/8" UNF	1/2" NPT
RRMDC34NPT58	5/8"	19x1.25	3/4" NPT
RRMDC34NPT34	3/4"	22x1.5	3/4" NPT

MASCHIO RECUPERABILE JIC SV. 74° JIC MALE REUSABLE 74° CONE



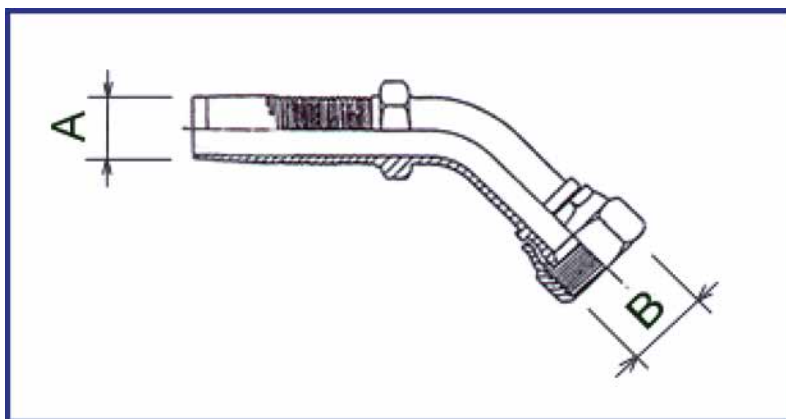
Codice / Part nr	Tube / Hose	A	B (thread)
RRMD12J14	1/4"	9x1	1/2" UNF
RRMD916J516	5/16"	11x1	9/16" UNF
RRMD34J38	3/8"	13x1	3/4" UNF
RRMD78J12	1/2"	5/8" UNF	7/8" UNF
RRMD2015J38	3/8"	13x1	20x1.5
RRMD2015J12	1/2"	5/8" UNF	20x1.5

FEMMINA RECUPERABILE JIC SV. 74° DADO PINZATO JIC FEMALE REUSABLE 74° CONE



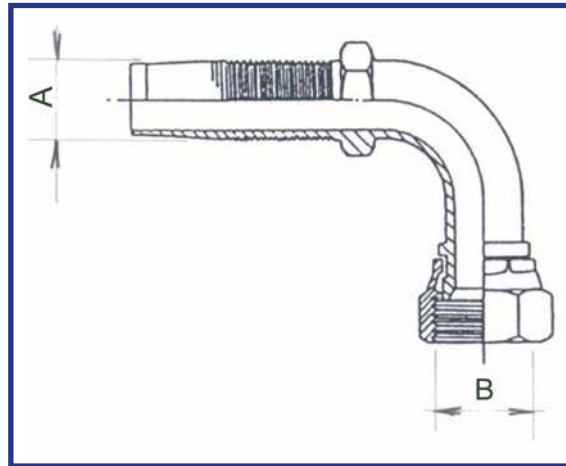
Codice / Part nr	Tube / Hose	A	B
RRFD716J316	3/16"	7x0.75	7/16" UNF
RRFD12J316	3/16"	7x0.75	1/2" UNF
RRFD716J14	1/4"	9x1	7/16" UNF
RRFD12J14	1/4"	9x1	1/2" UNF
RRFD916J14	1/4"	9x1	9/16" UNF
RRFD916J516	5/16"	11x1	9/16" UNF
RRFD916J38	3/8"	13x1	9/16" UNF
RRFD34J38	3/8"	13x1	3/4" UNF
RRFD34J12	1/2"	5/8" UNF	3/4" UNF
RRFD78J12	1/2"	5/8" UNF	7/8" UNF
RRFD78J58	5/8"	19x1.25	7/8" UNF
RRFD1116J58	5/8"	19x1.25	1" 1/16 UNF
RRFD1116J34	3/4"	22x1.5	1" 1/16 UNF
RRFD1516J1	1"	1" 3/16" F16	1" 5/16 UNF

FEMMINA 45° RECUPERABILE JIC SV. 74° DADO PINZATO
45° JIC FEMALE REUSABLE 74° CONE



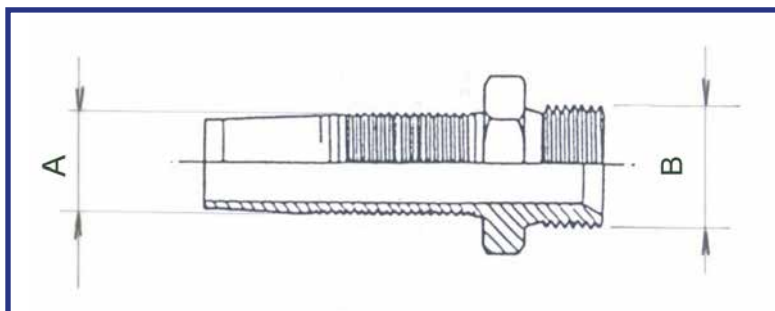
Codice / Part nr	Tubo / Hose	A	B (thread)
RRF45716J316	3/16"	7x0.75	7/16" UNF
RRF45716J14	1/4"	9x1	7/16" UNF
RRF4512J14	1/4"	9x1	1/2" UNF
RRF45916J14	1/4"	9x1	9/16" UNF
RRF45916J516	5/16"	11x1	9/16" UNF
RRF4534J38	3/8"	13x1	3/4" UNF
RRF4578J12	1/2"	5/8" UNF	7/8" UNF
RRF451116J58	5/8"	19x1.25	1" 1/16 UNF
RRF451116J34	3/4"	22x1.5	1" 1/16 UNF
RRF451516J1	1"	1" 3/16" F16	1" 5/16" UNF

FEMMINA 90° RECUPERABILE JIC SV. 74° DADO PINZATO
90° JIC FEMALE REUSABLE 74° CONE



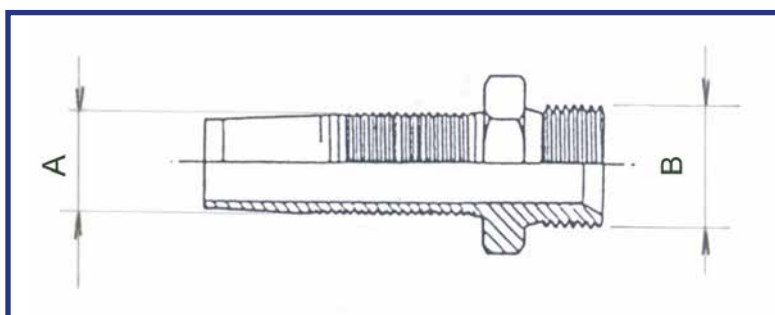
Codice / Part nr	Tubo / Hose	A	B (thread)
RRF90716J316	3/16"	7x0.75	7/16" UNF
RRF9012J316	3/16"	7x0.75	1/2" UNF
RRF90716J14	1/4"	9x1	7/16" UNF
RRF9012J14	1/4"	9x1	1/2" UNF
RRF90916J14	1/4"	9x1	9/16" UNF
RRF90916J516	5/16"	11x1	9/16" UNF
RRF90916J38	3/8"	13x1	9/16" UNF
RRF9034J38	3/8"	13x1	3/4" UNF
RRF9034J12	1/2"	5/8" UNF	3/4" UNF
RRF9078J12	1/2"	5/8" UNF	7/8" UNF
RRF901116J58	5/8"	19x1.25	1" 1/16 UNF
RRF901116J34	3/4"	22x1.5	1" 1/16 UNF
RRF901516J1	1"	1" 3/16" F16	1" 5/16 UNF

MASCHIO RECUPERABILE SV. 24° SERIE LEGGERA METRIC MALE REUSABLE SV. 24° SEAT LIGHT



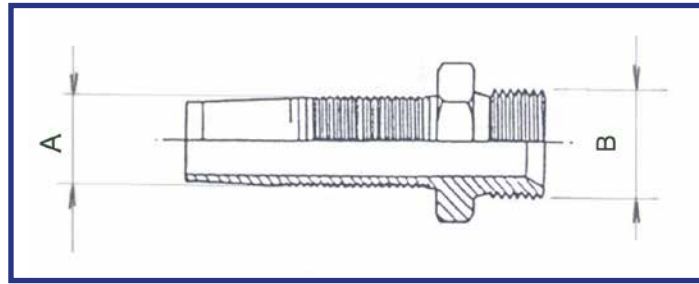
Codice / Part nr	Tubo / Hose	A	B (thread)
RRMDSV141514	1/4"	9x1	14x1.5
RRMDSV1615516	5/16"	11x1	16x1.5
RRMDSV181538	3/8"	13x1	18x1.5
RRMDSV221512	1/2"	5/8 UNF	22x1.5

MASCHIO RECUPERABILE SV. 24° SERIE PESANTE METRIC MALE REUSABLE SV. 24° SEAT HEAVY



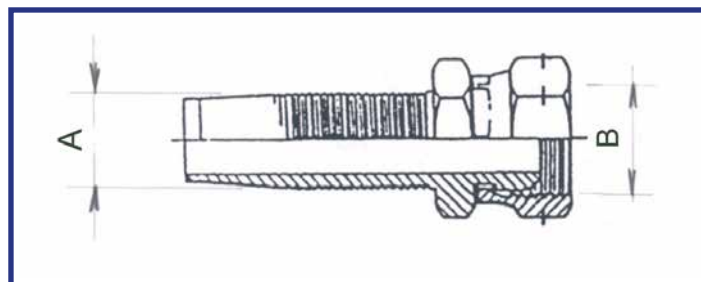
Codice / Part nr	Tubo / Hose	A	B (thread)
RRMDSV181514	1/4"	9x1	18x1.5
RRMDSV221538	3/8"	13x1	22x1.5
RRMDSV241512	1/2"	5/8" UNF	24x1.5

MASCHIO RECUPERABILE METRICO 60°
METRIC MALE REUSABLE CONE 60°



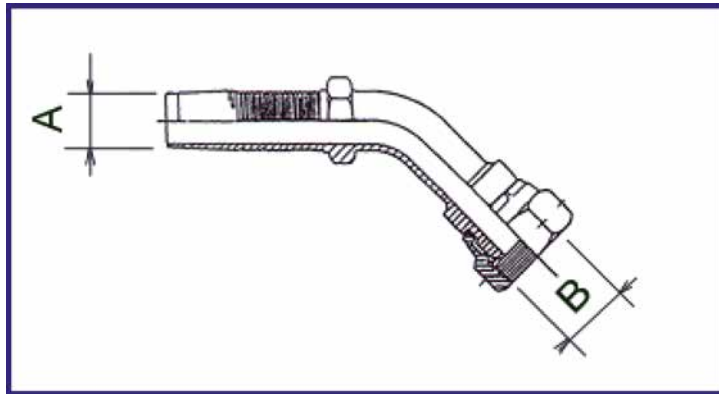
Codice / Part nr	Tubo / Hose	A	B (thread)
RRMD101316	3/16"	7x0.75	10x1
RRMD141514	1/4"	9x1	14x1.5
RRMD1615516	5/16"	11x1	16x1.5
RRMD161538	3/8"	13x1	16x1.5
RRMD181538	3/8"	13x1	18x1.5
RRMD221512	1/2"	5/8" UNF	22x1.5
RRMD261558	5/8"	19x1.25	26x1.5

FEMMINA RECUPERABILE METRICA 60° DADO PINZATO
METRIC FEMALE REUSABLE CONE 60°



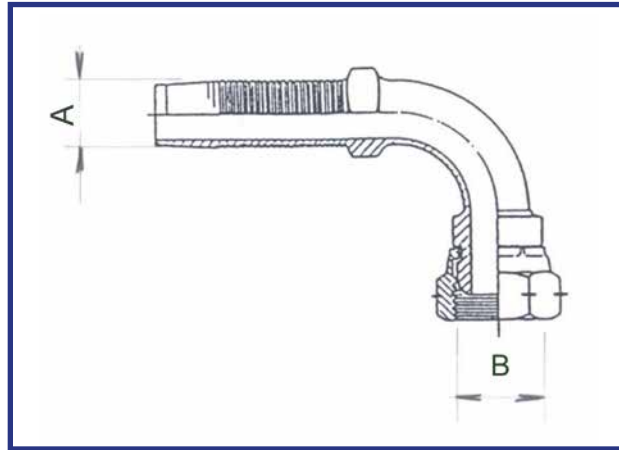
Codice / Part nr	Tubo / Hose	A	B (thread)
RRFD10148	5/32" (8x4)	6x0.75	10x1
RRFD101316	3/16"	7x0.75	10x1
RRFD121514	1/4"	9x1	12x1.5
RRFD141514	1/4"	9x1	14x1.5
RRFD161514	1/4"	9x1	16x1.5
RRFD1415516	5/16"	11x1	14x1.5
RRFD1615516	5/16"	11x1	16x1.5
RRFD1815516	5/16"	11x1	18x1.5
RRFD161538	3/8"	13x1	16x1.5
RRFD181538	3/8"	13x1	18x1.5
RRFD221538	3/8"	13x1	22x1.5
RRFD181512	1/2"	5/8" UNF	18x1.5
RRFD221512	1/2"	5/8" UNF	22x1.5
RRFD261558	5/8"	19x1.25	26x1.5
RRFD261534	3/4"	22x1.5	26x1.5

FEMMINA 45° RECUPERABILE METRICA 60° DADO PINZATO
45° METRIC FEMALE REUSABLE CONE 60°



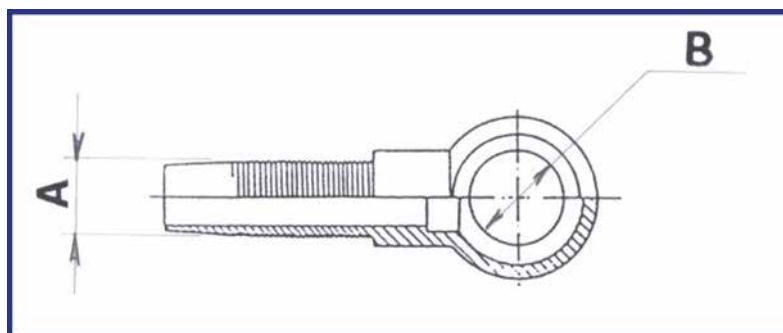
Codice / Part nr	Tubo / Hose	A	B (thread)
RRF45101316	3/16"	7x0.75	10x1
RRF45121514	1/4"	9x1	12x1.5
RRF45141514	1/4"	9x1	14x1.5
RRF451615516	5/16"	11x1	16x1.5
RRF45161538	3/8"	13x1	16x1.5
RRF45181538	3/8"	13x1	18x1.5
RRF45221538	3/8"	13x1	22x1.5
RRF45221512	1/2"	5/8" UNF	22x1.5
RRF45261558	5/8"	19x1.25	26x1.5
RRF45261534	3/4"	22x1.5	26x1.5

FEMMINA 90° RECUPERABILE METRICA 60° DADO PINZATO 90° METRIC FEMALE REUSABLE CONE 60°



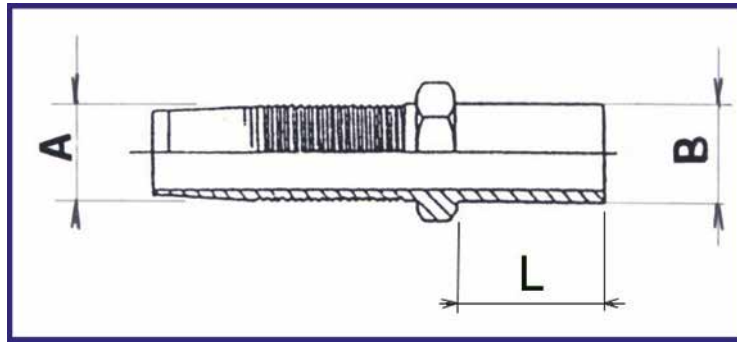
Codice / Part nr	Tubo / Hose	A	B (thread)
RRF9010148	5/32" (8x4)	5.9	10x1
RRF90101316	3/16"	7x0.75	10x1
RRF90121514	1/4"	9x1	12x1.5
RRF90141514	1/4"	9x1	14x1.5
RRF90161514	1/4"	9x1	16x1.5
RRF901415516	5/16"	11x1	14x1.5
RRF901615516	5/16"	11x1	16x1.5
RRF90161538	3/8"	13x1	16x1.5
RRF90181538	3/8"	13x1	18x1.5
RRF90221538	3/8"	13x1	22x1.5
RRF90181512	1/2"	5/8" UNF	18x1.5
RRF90221512	1/2"	5/8" UNF	22x1.5
RRF90261558	5/8"	19x1.25	26x1.5
RRF90261534	3/4"	22x1.5	26x1.5

OCCHIO RECUPERABILE METRICO METRIC REUSABLE BANJO



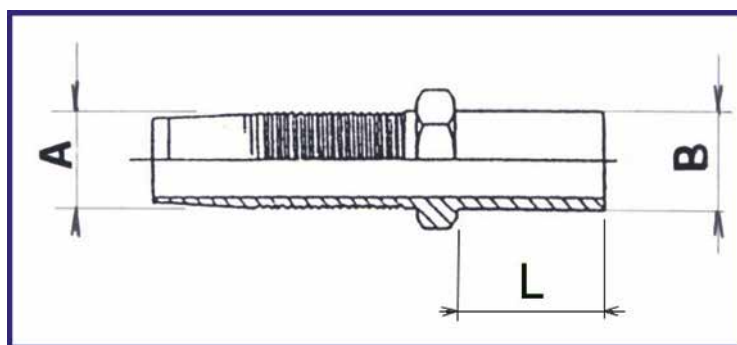
Codice / Part nr	Tubo / Hose	A	B
OR10M48	5/32" (8x4)	6x0.75	10.0
OR10M316	3/16"	7x0.75	10.0
OR10M14	1/4"	9x1	10.0
OR12M14	1/4"	9x1	12.0
OR14M14	1/4"	9x1	14.0
OR16M516	5/16"	11x1	16.0
OR18M516	5/16"	11x1	18.0
OR18M38	3/8"	13x1	18.0
OR20M38	3/8"	13x1	20.0
OR18M12	1/2"	5/8" UNF	18.0

CODOLO RECUPERABILE SERIE LEGGERA *REUSABLE STANDPIPE SEAT LIGHT*



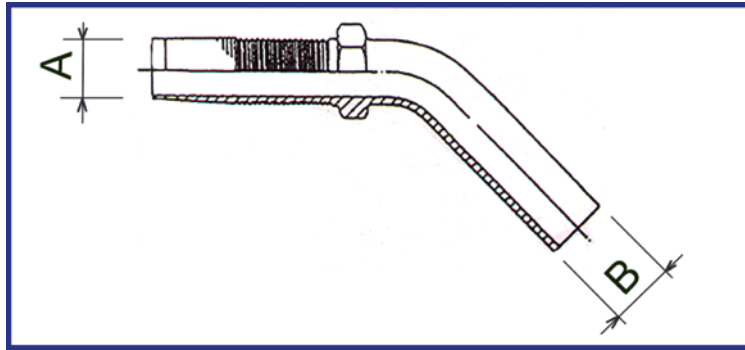
Codice / Part nr	Tubo / Hose	A	B	L
ER448	5/32" (8x4)	6x0.75	4.0	21.0
ER4316	3/16"	7x0.75	4.0	21.0
ER614	1/4"	9x1	6.0	21.0
ER814	1/4"	9x1	8.0	22.0
ER814L	1/4"	9x1	8.0	25.0
ER8516	5/16"	11x1	8.0	24.0
ER10516	5/16"	11x1	10.0	24.0
ER1038	3/8"	13x1	10.0	25.0
ER1238	3/8"	13x1	12.0	25.0
ER1538	3/8"	13x1	15.0	26.5
ER1512	1/2"	5/8" UNF	15.0	26.5
ER1812	1/2"	5/8" UNF	18.0	29.0
ER1858	5/8"	19x1.25	18.0	29.0
ER2234	3/4"	22x1.5	22.0	30.5
ER281	1"	1" 3/16" F16	28.0	34.0

CODOLO RECUPERABILE SERIE PESANTE REUSABLE STANDPIPE SEAT HEAVY



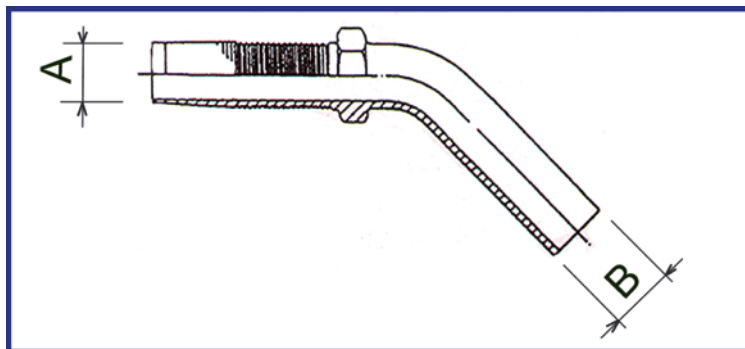
Codice / Part nr	Tubo / Hose	A	B	L
ER648	5/32" (8x4)	6x0.75	6.0	21.0
ER648L	5/32" (8x4)	6x0.75	6.0	25.0
ER848	5/32" (8x4)	6x0.75	8.0	30.0
ER6316	3/16"	7x0.75	6.0	21.0
ER6316L	3/16"	7x0.75	6.0	25.0
ER8316	3/16"	7x0.75	8.0	22.0
ER1014	1/4"	9x1	10.0	22.0
ER1214	1/4"	9x1	12.0	24.0
ER12516	5/16"	11x1	12.0	24.0
ER1438	3/8"	13x1	14.0	25.0
ER1612	1/2"	5/8" UNF	16.0	26.5
ER2058	5/8"	19x1.25	20.0	29.0
ER2034	3/4"	22x1.5	20.0	29.0
ER2534	3/4"	22x1.5	25.0	30.5
ER301	1"	1" 3/16" F16	30.0	34.0

CODOLO RECUPERABILE 45° SERIE LEGGERA 45° REUSABLE STANDPIPE SEAT LIGHT



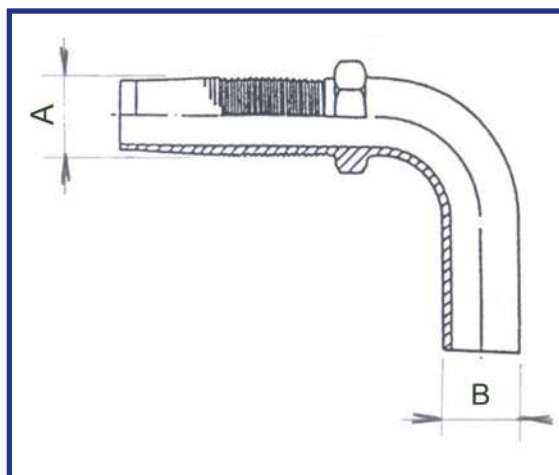
Codice / Part nr	Tube / Hose	A	B
ER454316	3/16"	7x0.75	4.0
ER45614	1/4"	9x1	6.0
ER45814	1/4"	9x1	8.0
ER4510516	5/16"	11x1	10.0
ER451238	3/8"	13x1	12.0
ER451512	1/2"	5/8" UNF	15.0
ER451858	5/8"	18x1.25	18.0
ER452234	3/4"	22x1.5	22.0

CODOLO RECUPERABILE 45° SERIE PESANTE 45° REUSABLE STANDPIPE SEAT HEAVY



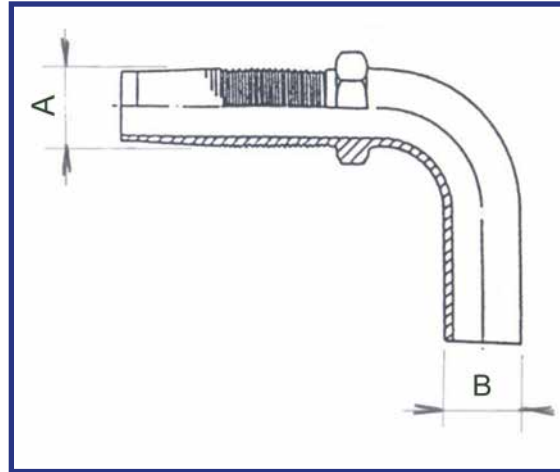
Codice / Part nr	Tube / Hose	A	B
ER456316	3/16"	7x0.75	6.0
ER451014	1/4"	9x1	10.0
ER4512516	5/16"	11x1	12.0
ER451438	3/8"	13x1	14.0
ER451612	1/2"	5/8" UNF	16.0
ER452058	5/8"	18x1.25	20.0
ER452534	3/4"	22x1.5	25.0

CODOLO RECUPERABILE 90° SERIE LEGGERA
90° REUSABLE STANDPIPE SEAT LIGHT



Codice / Part nr	Tubo / Hose	A	B
ER90448	5/32" (8x4)	6x0.75	4.0
ER904316	3/16"	7x0.75	4.0
ER90614	1/4"	9x1	6.0
ER90814	1/4"	9x1	8.0
ER908516	5/16"	11x1	8.0
ER9010516	5/16"	11x1	10.0
ER901038	3/8"	13x1	10.0
ER901238	3/8"	13x1	12.0
ER901538	3/8"	13x1	15.0
ER901512	1/2"	5/8" UNF	15.0
ER901812	1/2"	5/8" UNF	18.0
ER901858	5/8"	18x1.25	18.0
ER902234	3/4"	22x1.5	22.0
ER90281	1"	1" 3/16" F16	28.0

CODOLO RECUPERABILE 90° SERIE PESANTE 90° REUSABLE STANDPIPE SEAT HEAVY



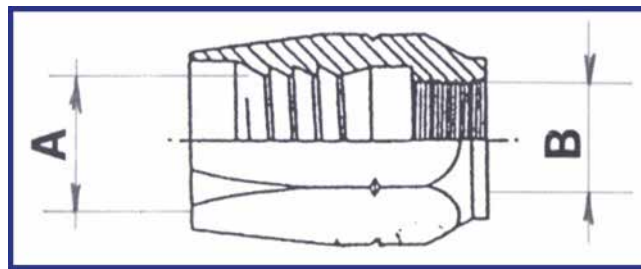
Codice / Part nr	Tubo / Hose	A	B
ER90648	5/32" (8x4)	6x0.75	6.0
ER906316	3/16"	7x0.75	6.0
ER908316	3/16"	7x0.75	8.0
ER901014	1/4"	9x1	10.0
ER901214	1/4"	9x1	12.0
ER9012516	5/16"	11x1	12.0
ER901438	3/8"	13x1	14.0
ER901612	1/2"	5/8" UNF	16.0
ER902058	5/8"	19x1.25	20.0
ER902034	3/4"	22x1.5	20.0
ER902534	3/4"	22x1.5	25.0

COPPIE DI SERRAGGIO

INSTALLATION TORQUE

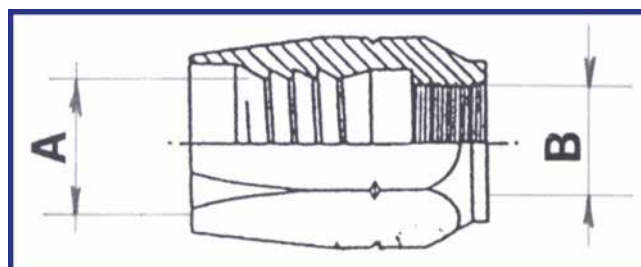


BOCCOLA RECUPERABILE PER TUBO OL5
REUSABLE FERRULE FOR HOSES OL5 SERIES



Codice / Part nr	Tubo / Hose	A	B
BR48OL5	5/32"	7.6	6x0.75
BR316OL5	3/16"	9.1	7x0.75
BR14OL5	1/4"	10.2	9x1

BOCCOLA RECUPERABILE PER TUBO R7 - R7M
REUSABLE FERRULE FOR HOSES R7 - R7M SERIES



Codice / Part nr	Tubo / Hose	A	B
BR316R7	3/16"	9.5	7x0.75
BR14R7	1/4"	11.5	9x1
BR14R7M	1/4"M	12.1	9x1
BR516R7	5/16"	13.6	11x1
BR38R7	3/8"	15.2	13x1
BR12R7	1/2"	19.3	5/8" UNF
BR58R7	5/8"	22.5	19x1.25
BR34R7	3/4"	25.5	22x1.5
BR1R7	1"	31.5	1" 3/16" F16







CONDIZIONI GENERALI DI VENDITA

1. Premesse

1.1. I contratti di vendita stipulati da ZEC S.p.A. ("venditore") sono regolati dalle presenti condizioni generali di contratto, salvo deroghe risultanti da esplicito accordo scritto ed espressamente approvate per iscritto dalla Direzione Generale del venditore.

1.2. Eventuali condizioni generali del Compratore, ed in particolare condizioni d'acquisto, non troveranno applicazione ai rapporti tra le parti se non espressamente accettate per iscritto ed approvate con la stessa forma dalla Direzione Generale del venditore. In tal caso, però, salvo deroga scritta, non escluderanno l'efficacia delle presenti condizioni generali di contratto.

1.3. L'eventuale nullità di una o più disposizioni del presente contratto non incide sulla validità del contratto nel suo complesso.

2. Formazione del contratto.

2.1. Il Compratore prende atto che gli agenti, rappresentanti o gli altri ausiliari del venditore non hanno in alcun modo potere di vincolare il venditore medesimo, e che tutti gli ordini da essi effettuati acquistano validità ed efficacia solo con la conferma scritta del venditore e l'approvazione scritta della Direzione Generale del venditore.

2.2. Qualsiasi modifica o allegato concordata a mezzo telefono, fax, e-mail od altro, sarà valida solo previa conferma scritta ed approvazione della Direzione Generale.

2.3. In qualunque momento l'esecuzione del contratto potrà essere sospesa in caso di mutamento nelle condizioni patrimoniali del Committente ai sensi ed agli effetti dell'art. 1461 del Codice Civile, salvo il risarcimento del danno. Al venditore è attribuita la facoltà di richiedere, anche in corso di esecuzione dell'ordine o contratto, idonee garanzie di pagamento. La mancata prestazione delle garanzie richieste costituirà causa di risoluzione del contratto.

3. Prezzi

3.1. I listini prezzi del venditore non costituiscono offerta, sono puramente indicativi e possono essere modificati unilateralmente dal venditore senza preavviso.

3.2. I prezzi si considerano di norma, salvo diverso accordo, franco stabilimento del venditore, imballaggio escluso. Sono a carico dell'acquirente le tasse, imposte e diritti vigenti al momento della consegna. I prezzi non comprendono prestazioni od oneri non menzionati.

3.3. Le spese di assicurazione della merce sono a carico dell'acquirente, come pure le spese ed i diritti di dogana dovuti per eventuale ritardo di sdoganamento o per altre cause.

4. Modalità di pagamento

4.1. Il pagamento dovrà essere effettuato al netto e senza sconto, in ragione degli accordi intervenuti per iscritto tra le parti. Le fatture del venditore sono pagabili a Parma, senza che a ciò derogino le disposizioni di cassa del venditore e la domiciliazione di effetti.

4.2. Per nessun motivo e a nessun titolo l'acquirente può differire i pagamenti oltre le scadenze pattuite, particolarmente in seguito a ritardi nella consegna di materiali o nel montaggio od a contestazioni di qualsiasi natura. Sui pagamenti ritardati verranno conteggiati, di pieno diritto e senza alcuna messa in mora, gli interessi calcolati in base al D. Lgs. 231/2002 e succ. modd., senza che per questo il Compratore possa ritenersi in facoltà di differire i pagamenti.

4.3. In caso di mancato pagamento, totale o parziale, alla scadenza, il saldo verrà maggiorato del 12%, con un minimo di € 51,65 ed un massimo di € 5.000,00, indipendentemente dal fatto che siano state o vengano concesse dilazioni di pagamento.

4.4. La merce consegnata diviene di proprietà dell'acquirente solo col pagamento integrale del prezzo.



4.5. In caso di fallimento o di ammissione del compratore a procedure concorsuali, di assoggettamento del compratore a procedure esecutive e/o a protesti, i debiti del compratore si considerano immediatamente esigibili, e il venditore avrà facoltà di risolvere il contratto mediante l'invio di semplice lettera raccomandata.

4.6. Qualora sia convenuto un regolamento cambiario, sono a carico del compratore sia gli interessi di sconto che le spese e commissioni relative, gli interessi saranno conteggiati al tasso ufficiale di sconto maggiorato di tre unità. In caso di mancato pagamento o mancata accettazione di un effetto cambiario, le somme dovute diverranno immediatamente esigibili, qualunque siano le condizioni convenute in precedenza.

5. Accettazione della merce.

La merce si intende accettata presso lo stabilimento del venditore nel momento della messa a disposizione precedente la spedizione. A tal fine il venditore comunicherà per lettera o telegramma o fax o e-mail che la merce è a disposizione del compratore presso lo stabilimento. Se l'acquirente non procede all'accettazione, la merce si intende accettata con la spedizione. Nel caso di ritardata spedizione indipendente da fatto proprio, il venditore ha facoltà di addebitare al compratore le spese di magazzinaggio, manutenzione, custodia, assicurazione, ecc

6. Consegna e trasferimento dei rischi.

La consegna della merce ed il trasferimento dei rischi si verificano al momento dell'accettazione di cui al punto che precede, e ciò anche nell'ipotesi in cui la vendita avvenga franco altri luoghi di destinazione.

7. Trasporto ed imballaggi.

7.1 L'onere del trasporto del materiale dallo stabilimento del venditore fino al luogo di destinazione si intende normalmente a carico dell'acquirente salvo diverso accordo risultante dalla conferma d'ordine. Il compratore assume comunque tutti i rischi inerenti fin dalla consegna dei beni al trasportatore o vettore, anche in caso di riserva del diritto di proprietà e anche nel caso in cui venga pattuita la consegna franco stabilimento.

7.2. Il Venditore provvederà all'imballaggio secondo le regole d'uso. Il Venditore è comunque esonerato da ogni responsabilità per perdite e avarie, che non dipendano da dolo o colpa grave del Venditore e non siano diretta e immediata conseguenza del suo comportamento. Per particolari tipi di imballaggio saranno conteggiati in fattura gli extra prezzo indicati nel listino prezzi, ove indicati, o nella Conferma d'Ordine.

8. Collaudi.

8.1. Salvo diversa indicazione le forniture del Venditore sono regolate dalle norme e precisazioni contenute nel catalogo ZEC.

9. Riserva di proprietà

Il venditore conserva la proprietà sui beni venduti fino al totale pagamento di essi e qualunque atto del compratore che, all'infuori di esplicito consenso scritto dal venditore, involga pregiudizio al diritto del venditore, sarà sottoposto alle sanzioni di legge.

10. Termini di consegna.

10.1. Il periodo di consegna decorre dal giorno successivo a quello in cui sarà stato raggiunto l'accordo su ogni elemento del contratto e saranno state ricevute dal venditore tutte le informazioni necessarie all'esecuzione.

10.2. Nel caso sia richiesta una licenza d'importazione da parte del paese del compratore, il termine di consegna decorrerà dal momento in cui il venditore è stato informato per iscritto dell'avvenuta concessione della licenza.

10.3. Il venditore declina ogni responsabilità in caso di eventuali ritardi nella consegna.



10.4. Nessuna responsabilità sarà ascrivibile al venditore, e nulla pertanto sarà dovuto al compratore, ove il ritardo non sia imputabile al venditore per cause a lui non imputabili – come ritardi di terzi, inclusi fornitori e subfornitori – e per cause di forza maggiore come mobilitazioni, sommosse, scioperi o serrate, guerre, epidemie, chiusura, incidenti o guasti alle macchine o utensili, incendi, crolli inondazioni, terremoti, temperature eccessive, eventi metereologici e in genere in qualunque altro caso che comporti l'inattività totale o parziale degli stabilimenti del venditore e l'arresto o il rallentamento della produzione.

10.5. Parimenti, nessuna responsabilità sarà ascrivibile al venditore, e nulla pertanto sarà dovuto al compratore, in caso di mancato rispetto dei termini di pagamento.

10.6. In ogni caso, il compratore non potrà avvalersi del ritardo nella consegna per risolvere il contratto.

11. Recesso

11.1. Nel caso di eventi imprevisi, forza maggiore e caso fortuito il Venditore avrà la facoltà di recedere dal presente accordo e/o di sospendere la fornitura in corso quando si verifichino, ovunque ciò avvenga, fatti o circostanze che alterino in modo sostanziale lo stato dei mercati, il valore della moneta, le condizioni dell'industria italiana, o si verifichino circostanze anche endogene che, a giudizio insindacabile del Venditore, non consentano la utile prosecuzione del rapporto di fornitura

11.2. In ogni caso di recesso del Venditore dal rapporto di fornitura, l'Acquirente non avrà diritto ad indennizzi, compensi o rimborsi. Ove richiesto dal Venditore, l'Acquirente dovrà provvedere al pagamento del Prodotto già approntato o in corso di lavorazione, ottenendone la relativa consegna.

12. Garanzia

12.1. Il venditore garantisce i suoi prodotti per un periodo di 90 giorni contro qualsiasi difetto non apparente di costruzione o vizio non apparente dei materiali. Il periodo di garanzia decorre dalla data di consegna.

12.2. La garanzia si applica solo ai materiali nello stato di fornitura iniziale. Essa concerne unicamente i materiali che siano riconosciuti difettosi dal venditore, previa loro restituzione al venditore su sua richiesta e franco suo stabilimento.

12.3. La garanzia non copre, comunque, lavorazioni e/o fatti imputabili al cliente o all'utilizzatore.

12.4. Il venditore è responsabile solo dei danni verificatisi e constatati sui beni da lui venduti, e non risponde dei danni indiretti nè di eventuali ulteriori danni occorsi al cliente o a terzi, nè di eventuali ritardi di produzione del compratore o di terzi.

13. Comunicazioni

13.1. Tutte le comunicazioni fra le parti dovranno essere effettuate per iscritto ed inviate all'indirizzo del destinatario indicato nel contratto ovvero alla sede legale del destinatario, a mezzo lettera raccomandata, telefax, e-mail o consegna a mano.

13.2. Le comunicazioni effettuate a mezzo raccomandata si intenderanno conosciute all'atto della ricezione.

13.3. Le comunicazioni che incidono sulla validità o sull'esistenza del contratto dovranno essere inviate unicamente a mezzo di lettera raccomandata con avviso di ricevimento.

14. Legge applicabile. Giurisdizione. Foro competente.

14.1. contratti, anche se stipulati con cittadini esteri o per materiali forniti all'estero, sono regolati dalla legge italiana.

14.2. Ogni controversia relativa al presente contratto e alla sua interpretazione e/o esecuzione è soggetta alla giurisdizione italiana ed attribuita in via esclusiva alla competenza territoriale del foro di Parma, rinunziando il compratore espressamente alla propria giurisdizione e ad ogni altro foro competente.



14.3 Il rapporto di fornitura è disciplinato dalle leggi della Repubblica italiana, anche eventualmente in deroga alle norme dispositive contenute nella Convenzione di Vienna per la vendita internazionale di cose mobili dell'11 aprile 1980.

15. Codice della Privacy.

15.1. Il compratore presta il consenso al trattamento dei propri dati personali, dando atto di avere ricevuto l'informativa prevista dall'art. 13 D.Lgs. 196/2003.

15.2. Titolare del trattamento dei dati del compratore è la ZEC S.p.A. con sede in Colorno, Via Lungolorno 11.

Il compratore potrà esercitare in ogni momento i diritti di cui all'art. 7 D. Lgs. 196/2003 rivolgendosi direttamente al titolare del trattamento (nome società), Via _____.

15.3. ZEC S.p.A. garantisce che i dati personali del compratore saranno trattati in forma automatizzata per il solo fine ed ai soli effetti del contratto di vendita regolato dalle presenti condizioni generali di contratto.

Il trattamento verrà svolto in forma automatizzata e sarà improntato ai principi di correttezza, liceità e trasparenza e di tutela della Sua riservatezza e dei Suoi diritti.

Ai sensi dell'articolo 13 del D.lgs. n.196/2003, pertanto, Le forniamo le seguenti informazioni:

- I dati da Lei forniti verranno trattati per le seguenti finalità:

- Il trattamento sarà effettuato con le seguenti modalità:

(Indicare le modalità del trattamento: manuale / informatizzato / altro.)

15.4. Il conferimento dei dati è obbligatorio, per dare corso all'esecuzione del contratto e per adempiere agli obblighi contabili e fiscali e l'eventuale rifiuto di fornire tali dati comporterà la mancata esecuzione del contratto.

15.5. I dati potranno essere comunicati, oltre che a soggetti legati alla società (es. dipendenti, agenti, procacciatori, filiali e o sedi secondarie, ecc.) a banche, compagnie assicurative e comunque, in genere, a consulenti e/o professionisti della società stessa.



GENERAL TERMS OF SALE

1. Preliminary statement

1.1. ZEC S.p.A. (vendor) draws up the sale contracts, that are regulated by the present general terms of sale, except for derogations resulting by explicit written agreement and expressly approved in writing by the general vendor managing.

1.2. Eventual purchaser general conditions and in particular purchase conditions will not find any application in the relation of the parts if not expressly approved in writing by the general vendor Managing. In this case, except for written derogation, they will not exclude the efficacy of the present general sales conditions.

1.3. The eventual nullity of one or more provisions of the current contract doesn't bear on the validity of the contract on its whole.

2. Contract composition

2.1. The purchaser knows that the agents, representatives or the other vendor's assistants don't absolutely have the power to bind the vendor, and all the issued orders gets the validity and efficacy only with a written confirmation of the vendor and written approval of the general vendor managing.

2.2. Any variation or attached document agreed by phone, fax, telex, e-mail or others will be valid only with written confirmation and approval by general vendor managing.

2.3. In any moment the execution of the contract could be interrupted in case of variation on the statements of assets and liabilities of the purchaser according to the art.1461 of Civil Code, upon the compensation for damages. To the vendor is ascribed the faculty of requiring, also during the execution of the order or of the contract, certified payment guarantees. The missing performance of the required guarantees will be cause of the resolution of the contract.

3. Prices

3.1. the price lists of the vendor are not an offer, but only an indication and they can be modified unilaterally by the vendor without notice.

3.2. The prices have to be considered, upon different agreement, ex works, except packaging. The taxes and dues valid at the moment of the delivery are at purchaser charge. The prices don't include the performance and not mentioned burden

3.3. The insurance expenses are at purchaser charge, as the expenses and the customs duties due for eventual delay of the clearance or other causes.

4. Payment terms

4.1. The payment have to be carried out net and without any discount, on the basis of the written agreement between the two parts.

The vendor invoices can be paid in Parma, without any derogation for the cash disposition of the vendor and the domicile effects.

4.2. For no account the purchaser can defer the payments over the expiry dates, particularly because of delays in the delivery of the goods or in the assembly or for any kind of notification. Upon the delayed payments it will be counted, by right and without any default, the interest calculated in conformity with the D.Lgs.231/2002 and following modd. However it's not in the power of the purchaser to defer the payments.

4.3. In case of a total or partial non payment at the expiry date, the settlement will be increased of 12% with a minimum amount of € 51,65 and a maximum of € 5.000,00, apart from the eventual extension of payment

4.4. The delivered goods becomes a property of the purchaser only by the complete payment.



4.5. In case of failure or proof of debt in a bankruptcy proceedings of the purchaser or the submission of the purchaser to the executive proceedings and/or protests, the debts of the purchaser have to be immediately considered due debts and the vendor will exercise the faculty to solve the contract by a simple registered letter.

4.6. In case of payment of bills, all the interests and the consequent costs and commissions are at purchaser's expense; the interests will be calculated considering the official discount rate (bank rate), 3 units raised. In case of default of payment or dishonoured bill, the due amounts will be immediately payable, whatever the previous agreed terms.

5. Goods acceptance

The goods will be considered as accepted in the vendor's warehouse as soon as it will be available before the shipment, by the stock department. On this purpose, the vendor will inform by letter or telegram or telex or fax or e-mail that the goods is available by the factory. If the purchaser doesn't send a confirmation, the goods has to be intended as accepted for the shipment. In the case of a delay in the shipment, unrelated from the same vendor, the vendor can debit to the purchaser the expenses due to the stock, custody, maintenance and insurance etc.

6. Delivery and risks transfer

The delivery of the goods and the risks transfer happen when there is the acceptance of the previous point, and also if the sale should free be of charge to other destination addresses.

7. Transport and packing

7.1. Goods' transport's costs, from vendor's warehouse to delivery address are , normally, on purchaser' s expense, except for different agreements showed on the order confirmation. However the purchaser assumes all the despatching risks, starting from the loading of the goods by the forwarder agent, both in case of right of ownership's reserve and in case of Ex-Works despatching.

7.2. Vendor will take care of good's packing meeting the usual ways. However the vendor is exempted from any loss or injuries not resulting from vendor's specific intent or fault and there are not directed caused by his behaviour. Some extra costs for special packings will be indicated on the invoice, where specified, or in the order confirmation.

8. Testing

8.1. Upon different indication the supplying of the vendor meets the norm and clarification written in the ZEC catalogue.

9. Ownership's reserve

The vendor has the property on the sold goods until the purchaser has paid the complete amount of the order.

10. Delivery terms

10.1. The delivery terms start when the two parts reach a complete agreement on all details of the contract and the vendor have received all the necessary production information.

10.2. In case that the purchaser's country needs an import-licence, the delivery terms will start as soon the vendor will be informed in writing of the licence's grant.

10.3. The vendor refuses all responsibilities in case of possible delivery's delays.



10.4. *The vendor has not any responsibility (nothing is due to the customer), when the delay is not a cause ascribable to the vendor for causes not chargeable to him - as the delays of a third part, included supplier and sub suppliers - or force majeure such as mobilizations, revolts, strikes or locks- out, wars, epidemics, shutting, incidents or breakdown to the machines and tools, fires, flooding, earthquakes, high temperatures, meteorological events and in general any other case causing the total or partial inactivity of the vendor's works and the interruption or slackening the of the production lines.*

10.5. *Likewise, no responsibility has to be ascribed to the vendor (nothing is due to the purchaser), in case of non-observance of the payment terms.*

10.6. *In any case the purchaser can't avail himself of the delivery's delay in order to solve the contract.*

11. Withdrawal

11.1 *In case of unforeseen events, force majeure and by pure chance the vendor could withdraw from the present agreement and/or put off the supplying when it happens, wherever it takes place, facts or circumstances that change substantially the markets, the money value, the Italian industry conditions. It could also happen endogenous circumstances, that don't permit the prosecution of supplying relationship.*

11.2. *In case of withdrawal of the vendor from the supplying relationship, the purchaser will not have rights for damages, indemnity or repayments. When it's required by the vendor, the purchaser should provide for the payment of the ready products or under construction, getting the relative delivery.*

12. Warranty

12.1. *The vendor guarantees his products for a time of 90 days against any not clear defect of production or not obvious defect of the materials. The warranty time starts from the delivery date.*

12.2. *The warranty will be applied only on the goods as it was during the initial supplying. It deals only the goods that has been recognized defective from the vendor, by previous returning to the vendor upon his request and at purchaser charge*

12.3. *However the warranty doesn't cover manufacture and/or events chargeable to the customer or final user*

12.4. *The vendor is only responsible for the damages occurred on his products and ascertained by himself, that happened before selling them and doesn't cover either the indirect damages or the other ones caused by customers or third parts or delays in the production of the purchaser or third parts.*

13. Communications

13.1. *All the communications between the two parts should be put down in writing and sent to the consignee address, indicated in the contract, or rather the registered office of the consignee, by registered letter, fax, or e-mail by hand.*

13.2. *The communications by registered letter have to be intended acknowledged as soon as they have been received*

13.3 *The communications that may affect the validity or existence of this contract should be merely sent by registered letter with receipt notice.*

14. Applicable law. Jurisdiction. Place of Jurisdiction

14.1 *The contracts, also when they have been drawn up with foreign companies or for goods supplied to foreign countries, are regulated by the Italian law.*



14.2 Any dispute relating the current contract and its interpretation and/or execution comes under the Italian Jurisdiction and is exclusively ascribed to the territorial jurisdiction of Parma, renouncing the purchaser his own jurisdiction and any other place of jurisdiction.

14.3 The supply terms are regulated by the laws of the Italian Republic, also if necessary in derogation of the rules related to the Vienna Convention for the international sale of personal property dated 11 April 1980.

15. Privacy

15.1. The purchaser allows the vendor to deal with his personal data, living credit to have received the informative provided for in the art.13 D.Lgs. 196/2003.

15.2. Proprietor of the purchaser's data is ZEC S.p.A. and its seat is Colorno, Via Lungolorno 11.

The purchaser could always assert the rights, as in the art. 7 D. Lgs. 196/2003, addressing directly to the dealing proprietor (Company name) Street _____.

15.3. ZEC S.p.A. guarantees that the personal data of the purchaser will dealt informatics only for the sale contract purposes, regulated by the present general sale terms. The dealing of the personal data is only carried on automatically and it will be characterized by correctness, lawfulness and transparency and the tutelage of his privacy and rights.

According to the art.13 del D.lgs. n.196/2003, therefore, we shall give you the following information:

- the supplied data will be dealt for this purpose:

- the dealing follows these procedures:

(indicate the dealing procedures: manual / computerized / other.)

15.4. The contribution of the personal data is obligatory, in order to execute the contract and to fulfil the accountant and fiscal duties and the refusal to furnish these data will cause the impossible execution of the contract.

15.5. The data can be communicated, as well as the people linked to the company (ex. employees, agents, providers, branch and or secondary branches etc.) to the banks, assurance companies and generally to consultants and/or self-employed employees of the same company.



I valori menzionati in questo documento sono forniti a titolo puramente indicativo al fine di consentire una prima valutazione sulle possibilità di impiego dei prodotti. La Nostra produzione potrà essere variata senza impegno di alcun preavviso alla Nostra clientela.

The values indicated in the following document are only an indication so that customer is able to get a first avaluation about the utilization of our product. Our manufacturing could be changed by ZEC without warning our customers.





ZEC S.p.A. Via Lungolorno, 11 - 43052 Colorno (Pr) - Italy
Tel. +39 0521 816631 - Fax +39 0521 816772
e-mail: info@zecspa.com
www.zecspa.com